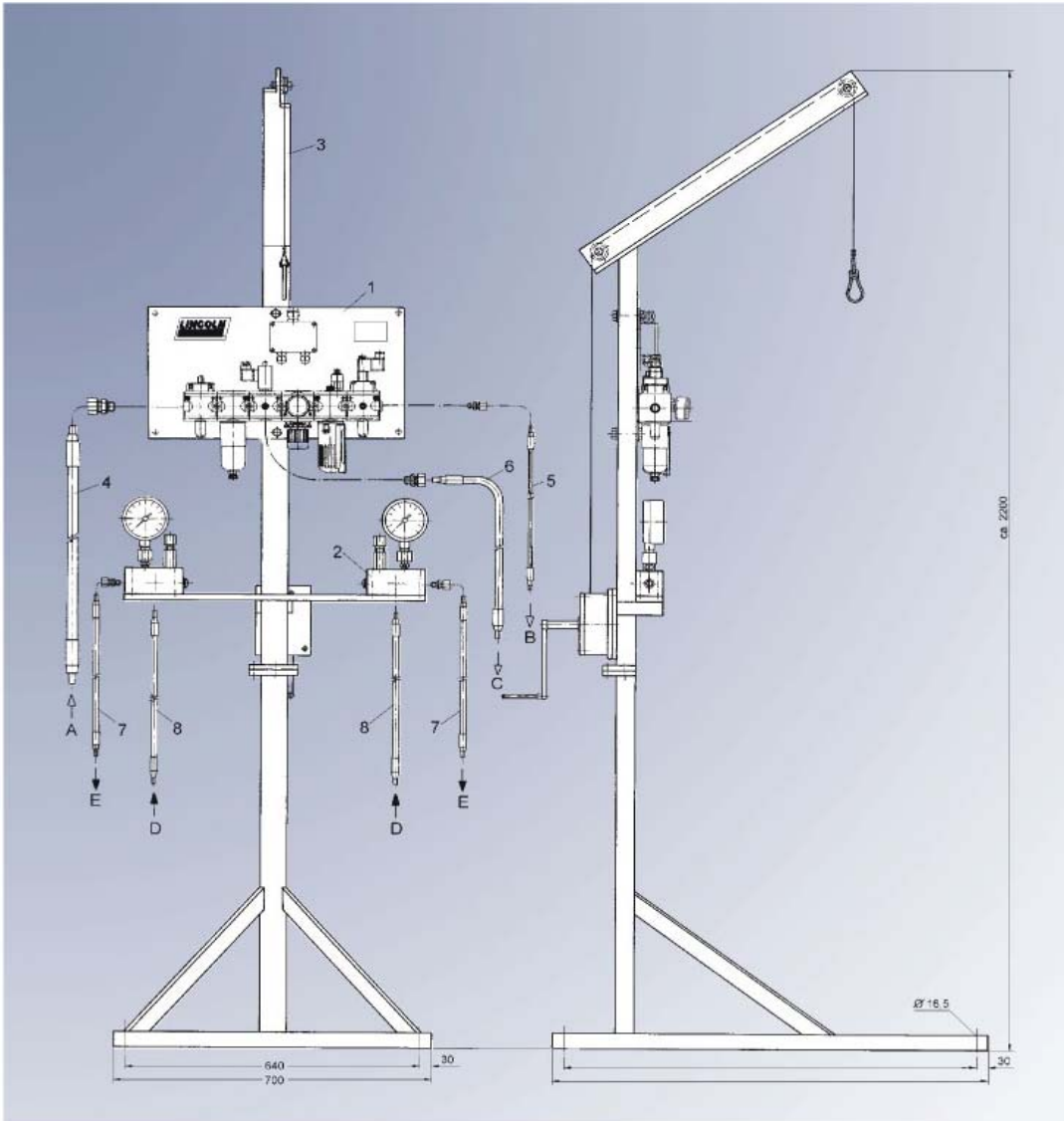


SAF Pump Accessories



Abmessungen (L x B x H): 950 x 700 x 2200 mm

SAF Pump Accessories

Item Designation

A	compressed air from compressor
B	compressed air to pump
C	compressed air to spray unit
D	lubricant from pump
E	lubricant to spray unit

Item Designation

1	maintenance unit
2	pressure relief device HSA-TD21
3	stand with winch
4	low-pressure hose OD 16 x 1040 mm with 20 mm stud
5	high-pressure hose OD 6 x 1540 mm with 10 mm stud
6	low-pressure hose OD 13 x 1040 mm with 15 mm stud
7	high-pressure hose OD 8 x 1040 mm with 10 mm stud
8	high-pressure hose OD 8 x 1540 mm with 10 mm stud

Part No.	Description
615-26739-1	stand with winch for SAF1 (1 pinion drive) with air maintenance unit (FLR), pressure relief valve, air hoses and lubricant hoses
615-26740-1	stand with winch for SAF2 (2 pinion drive) with air maintenance unit (FLR), 2 pressure relief valves, air hoses and lubricant hoses
515-30955-1	overpressure valve (120 bar) manifold with pressure gauge