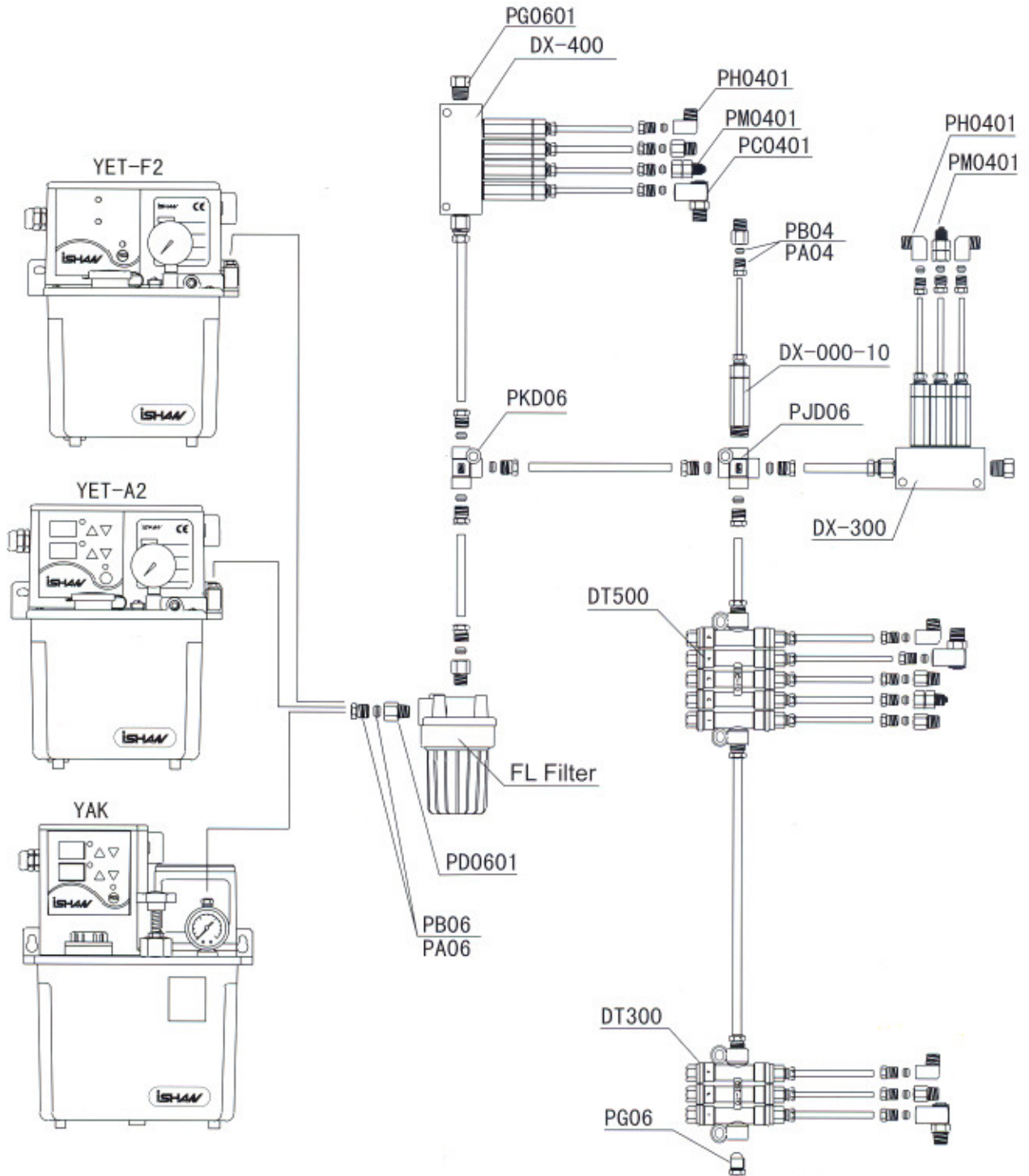


Piston Lubrication System Diagram



Piston Lubricators such as YET-F2, YET-C2, YET-D2, YAJ can be chosen to use according to the above diagram.

*Annotations: the intermittence time of YET series of lubricators to recover should be 5 times long that the lubrication time. And the intermittence to set should be no less than 3 minutes with use of 30-250cSt oil viscosity.

POSITIVE DISPLACEMENT INJECTION SYSTEMS

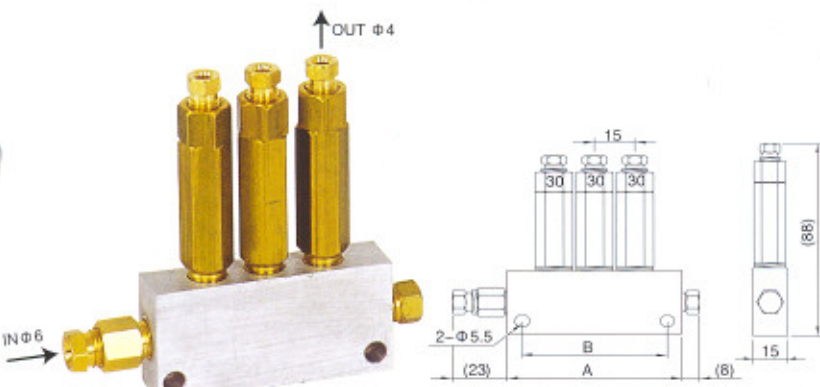
This series products include DX, DT series of positive distributors; YET series of positive microcomputer lubricators; YA series of positive electric lubricators etc. they are all used in positive centralized oil lubrication systems. These series of products have a complete models and can be chosen according to the demand .

- Features:**
1. It can provide the steady flow rate to lubricate the particular position every cycle.
 2. The oil viscosity and lubricating time won't affect the flow rate.
 3. Suitable for lubricators with pressure release devices.

The piston lubrication system is suitable for:

1. The lubricating position of strictly precise flow rate requirement.
2. The machine requires the lubrication system equipped with a pressure switch.

PISTON DISTRIBUTORS



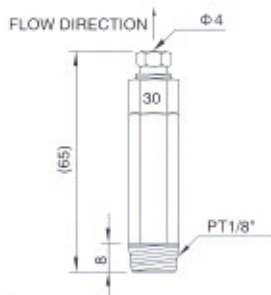
DX-300

Model	No. of output bores	A	B	Output volume (cc/stroke)	Weight (g)
DX-100	1	32	22	0.02	118
DX-200	2	47	37	0.06	157
DX-300	3	62	52	0.1	209
DX-400	4	77	67	0.16	281
DX-500	5	92	82	0.2	318
DX-600	6	107	97	0.2	403
DX-700	7	122	112	0.3	462
DX-800	8	137	127	0.4	521
DX-900	9	152	142	0.5	583

* Special mode can be produced according to the requirement by phone.

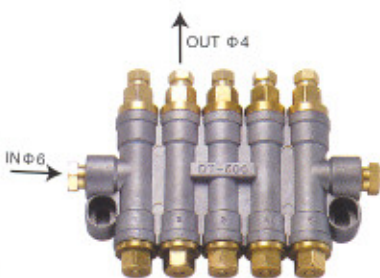


DX-000-30



Model	Output volume (cc/stroke)	Mark	Weight (g)
DX-000-02	0.02	02	45.5
DX-000-06	0.06	06	45.5
DX-000-10	0.1	10	45.5
DX-000-16	0.16	16	45.5
DX-000-20	0.2	20	45.5
DX-000-30	0.3	30	45.5
DX-000-40	0.4	40	45.5
DX-000-50	0.5	50	45.5

* Special mode can be produced according to the requirement by phone.



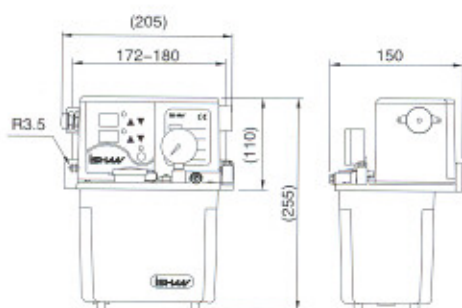
DT-500

Model	No. of output bores	A	B	Output volume (cc/stroke)	Weight (g)
DT-200	2	75	39-43	0.1 0.16	168
DT-300	3	90	54-58	0.2 0.3	232
DT-400	4	105	69-73		299
DT-500	5	120	84	0.4 0.5	359

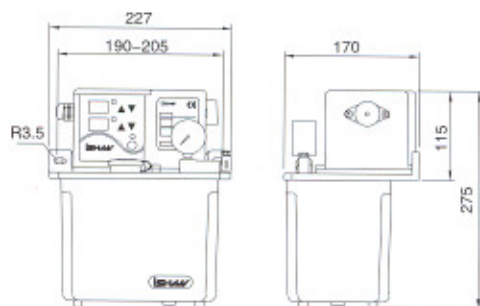
YET-A2 Microcomputer Piston Lubricator



YET-A2-2L



YET-A2-3L

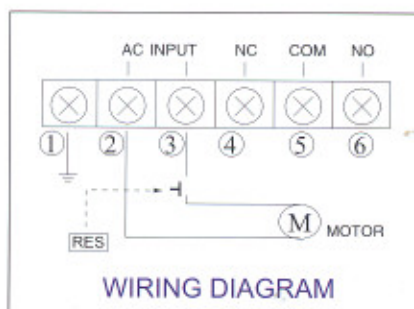


YET-A2

- Quality guaranteed, with European CE approval.
- Three kinds of running mode:
 - Lubrication: The lubricator runs according to its lubricating time after the power is on.
 - Intermittence: The lubricator runs according to its intermittent time after the power is on.
 - Time-memory: The lubricator runs according to its time recording after the power is on.
- Lubricating and intermittent time can be adjusted.
- A float switch outputs alarm signal when lubricant level is low.
- A pressure release device is included in piston system.
- An over temperature/load protector is attached to the motor.
- Fixed pressure function of pressure relief valve can prevent pumps from damage.
- Lubricating time (second/minute) and intermittent time (second/minute/hour/cycle) are selectable.
- The indicator on panel can display every running state.
- The intermittent period can be adjusted according to the machine's action.
- A pressure switch is optional (YET-A2P2).
- Press "Res" key can force the lubricator to lubricate.

Model	YET-A2	YET-A2P2
Voltage (single phase)	110V or 220V	
Power	100W	
Capacity of output	3A	
Lubricating time (second/minute)	1-999	
Intermittent time (second/minute/hour/cycle)	1-999	
Output bore	Φ4 or Φ6	
Max. output pressure (kgf/cm ²)	15	
Output volume	100cc/min	
Pressure release device	O	O
Pressure switch (kgf/cm ²)	X	9-11
Float switch	O	O
Alarm beeper	O	O
Reservoir capacity	2L / 3L / 4L	
Weight (kg)	2.7 / 3.0	

* Reservoirs with other different capacity are also available.

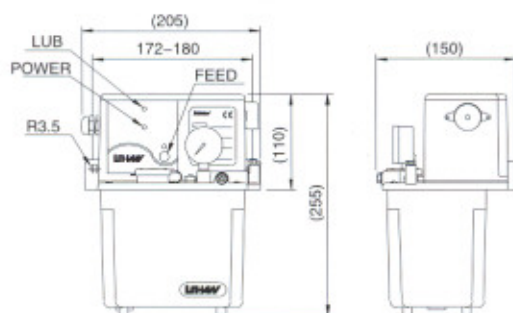


WIRING DIAGRAM

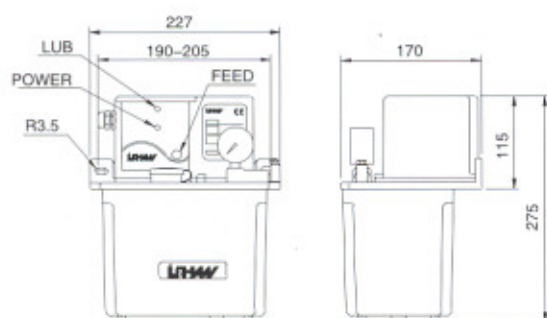
YET-C2 YET-F2 Automatic Piston Lubricator



YET-C2-2L
YET-F2-2L



YET-C2-3L
YET-F2-3L

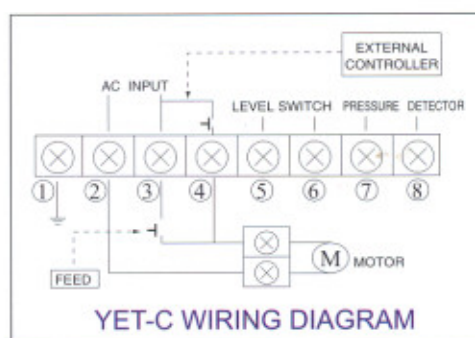
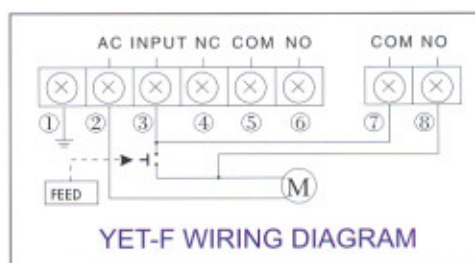


YET-F2 YET-C2

1. Quality guaranteed, with European CE approval.
2. A float switch outputs alarm signal when lubricant level is low. (For YET-F2 only)
3. An over temperature/load protector is attached to the motor.
4. Fixed pressure function of pressure relief valve can prevent pumps from damage.
5. The indicator on panel can display every running state.
6. A pressure switch is optional (YET-C2P2/YET-F2P2).
7. Press "FEED" key can force the lubricator to lubricate. (It must connect with PLC control system.)

Model	YET-F2	YET-F2P2	YET-C2	YET-C2P2
Voltage (single phase)	110V or 220V		110V or 220V	
Power	100W		100W	
Capacity of output	3A(The junction point of float switch and pressure switch)		0.3A(Float switch) 3A(Pressure switch)	
Lubricating time	Must connect with PLC control system			
Intermittent time	Must connect with PLC control system			
Output bore	Φ4 or Φ6		Φ4 or Φ6	
Max. output pressure (kgf/cm ²)	15		15	
Output volume	100cc/min		100cc/min	
Pressure release device	O	O	O	O
Pressure switch (kgf/cm ²)	X	9-11	X	9-11
Float switch	O(NO)	O(NO)	O(NC)	O(NC)
Alarm beeper	O	O	X	X
Reservoir capacity	2L / 3L / 4L		2L / 3L / 4L	
Weight (kg)	2.6 / 2.9		2.5 / 2.9	

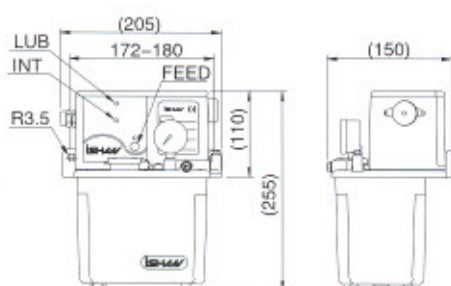
* Reservoirs with other different capacity are also available.



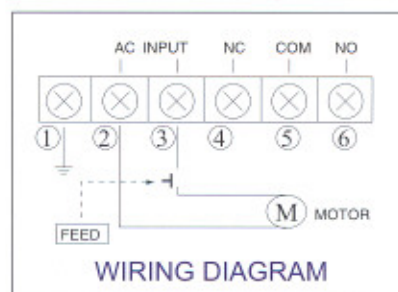
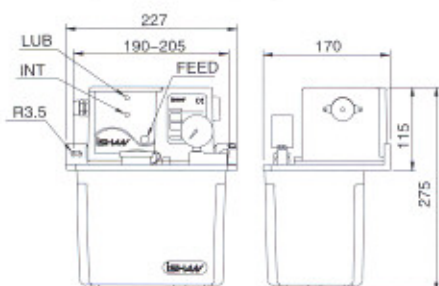
YET-D2 YET-M2 Automatic Piston Lubricator



YET-D2-2L
YET-M2-2L



YET-D2-3L
YET-M2-3L



YET-D2 TET-M2

- Quality guaranteed, with European CE approval.
- Three kinds of running mode: (YET-D2 has a & b two running modes)
 - Lubrication: The lubricator runs according to its lubricating time after the power is on.
 - Intermittence: The lubricator runs according to its intermittent time after the power is on.
 - Time-memory: The lubricator runs according to its time recording after the power is on.
- Lubricating and intermittent time should be set with customer's requirement.
- A float switch outputs alarm signal when lubricant level is low.
- An over temperature/load protector is attached to the motor.
- Fixed pressure function of pressure relief valve can prevent pumps from damage.
- The indicator on panel can display every running state.
- A pressure switch is optional (YET-D2P2/YET-M2P2).
- Equipped with a pressure gauge and an alarm beeper. It will display the real time pressure status and give a notice immediately while anything is abnormal.
- Press "FEED" key can force the lubricator to lubricate.

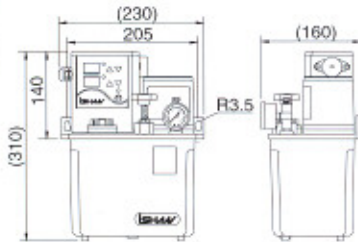
Model	YET-D2	YET-D2P2	YET-M2	YET-M2P2
Voltage (single phase)	110V or 220V		110V or 220V	
Power	100W		100W	
Capacity of output	3A		3A	
Lubricating time (second)	3/5/10/15/20/30/40/50		2/3/4/5/6/8/10/15/20/25/30/35/40/45/50/60	
Intermittent time (minute)	5/10/15/20/35/40/50/60/70/90/100		5/10/15/20/25/30/35/40/50/60/70/80/90/100/110/120	
Output bore	Φ4 or Φ6		Φ4 or Φ6	
Max. output pressure (kgf/cm ²)	15		15	
Output volume	100cc/min		100cc/min	
Pressure release device	○	○	○	○
Pressure switch (kgf/cm ²)	X	9-11	X	9-11
Float switch	○	○	○	○
Alarm beeper	○	○	○	○
Reservoir capacity	2L / 3L / 4L	2L / 3L / 4L	2L / 3L / 4L	2L / 3L / 4L
Weight (kg)	2.5 / 2.7	2.5 / 2.7	2.5 / 2.8	2.5 / 2.8

* Reservoirs with other different capacity are also available.

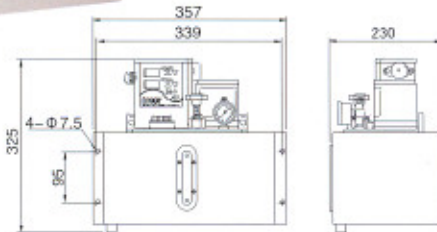
YAK YAJ Automatic Piston Lubricator



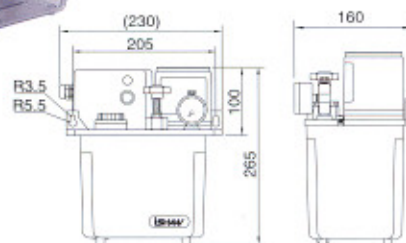
YAK-3L



YAK-8L



YAJ-3L



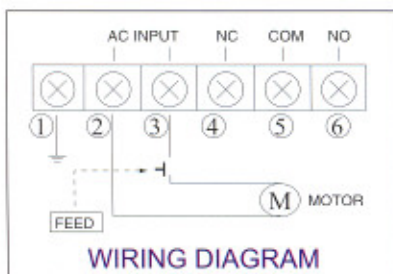
YAK

- Quality guaranteed, with European CE approval.
- Three kinds of running mode:
 - Lubrication: The lubricator runs according to its lubricating time after the power is on.
 - Intermittence: The lubricator runs according to its intermittent time after the power is on.
 - Time-memory: The lubricator runs according to its time recording after the power is back.
- Lubricating and intermittent time can be adjusted.
- A float switch outputs alarm signal when lubricant level is low.
- A pressure release device is included in piston system.
- Fixed pressure function of pressure relief valve can prevent pumps from damage.
- The indicator on panel can display every running state.
- Press "RES" key can force the lubricator to lubricate.
- Lubricating time (second/minute) and intermittent time (second/minute/hour/cycle) and selectable.
- The intermittent period can be adjusted according to the machine's action.
- The motor can keep running for a long period.

YAJ

- A float switch outputs alarm signals when the oil capacity is not sufficient.
- Fixed pressure function of pressure relief valve can prevent pumps from damage.
- Motors keep running for a long period
- A pressure release device is equipped in piston system
- Power indicator lamp can show the working state of lubricator.
- Press "FEED" key can force the lubricator to lubricate (PLC control system must be connected)

Model	YAK	YAJ
Voltage (single phase)	110V or 220V	110V or 220V
Power	25W	25W
Capacity of output	3A	0.3A(Float switch) 3A(Pressure switch)
Lubricating time ^① (second/minute)	1-999	Must connect with PLC control system
Intermittent time (second/minute/hour/cycle)	1-999	Must connect with PLC control system
Output bore	Φ4 or Φ6	Φ4 or Φ6
Max. output pressure (kgf/cm ²)	20	20
Output volume	150cc/min	250 cc/min
Pressure release device	O	O
Pressure switch (kgf/cm ²)	X(Optional)	X(Optional)
Float switch	O	O (NC)
Alarm beeper	O	X
Reservoir capacity	3L 4L 8L 20L	3L 4L 8L 20L
Weight (kg)	4.8 5.2 9.4 18	4.4 4.8 8.5 17.1



* Reservoirs with other different capacity are also available.