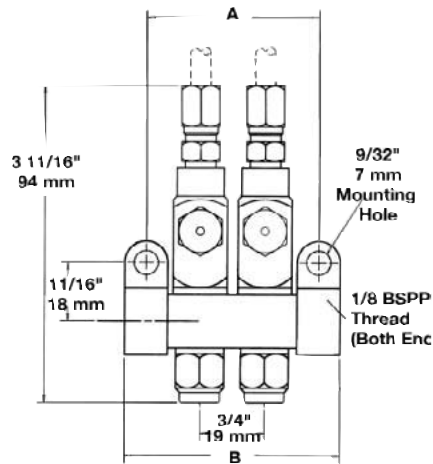
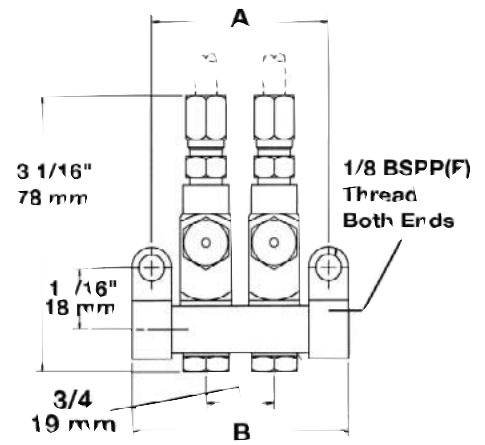


### Series SL-32, 33 and 42 Metric



SL-32 Series



SL-33, 42 Series

With the same proven design as our U.S. standard injectors, the new metric versions of our popular small grease and oil injectors feature metric ports. Any surface that needs a wrench is metric. It's more convenient for customers in most of the world, and easier to maintain because there's no need for a second set of wrenches or adapters.

- Offered for international customers.
- Metric ports connect with metric lines without adapters.
- No need for a second set of tools.
- Proven design used in the United States.
- Models for both grease and oil.

### Specifications:

Model			Outlets	Connections		Dimension A		Dimension B	
Oil SL-42	Grease SL-33	Grease SL-32		Inlet	Outlet	in.	mm.	in.	mm.
85352-1	85351-1		1	1/8" BSPP(F)	6 mm O.D. Tube Connection	1 1/8"	29	1 1/8"	41
85352-2	85351-2		2			1 1/4"	48	2 3/8"	60
85352-3	85351-3		3			2 1/8"	67	3 1/8"	79
85352-4	85351-4		4			3 1/8"	86	3 3/8"	98
85352-5	85351-5		5			4 1/8"	105	4 3/8"	118
85352-6	85351-6		6			4 3/8"	124	5 1/8"	137
		85353-1	1			1 1/4"	32	1 1/4"	44
		85353-2	2			2	51	2 1/2"	64
		85353-3	3			2 3/8"	70	3 1/4"	83
		85353-4	4			3 1/8"	89	4	102