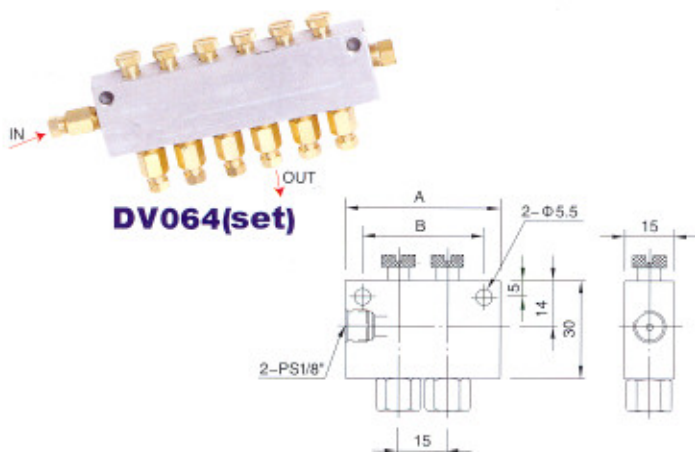


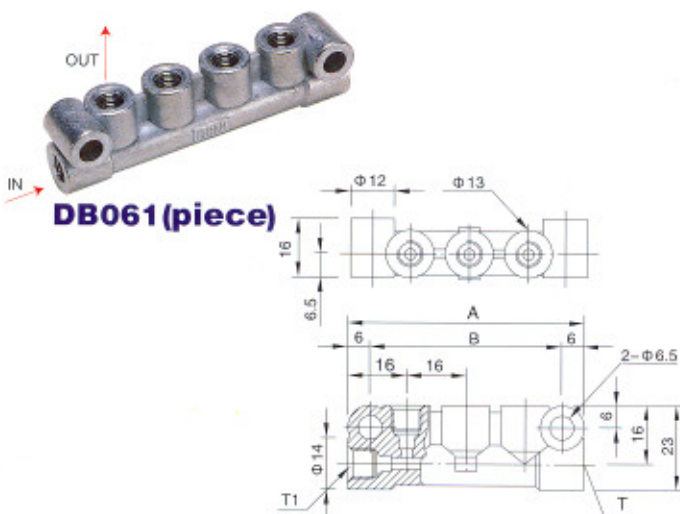
METERING FOR PROGRESSIVE SYSTEMS

DV Type Oil Regulating Distributor



Model	Inlet bore	No. of output bores	A	B	Weight (g)
DV024 DV026	Φ4 Φ6	2	47	37	101
DV034 DV036	Φ4 Φ6	3	62	52	131
DV044 DV046	Φ4 Φ6	4	77	67	165
DV054 DV056	Φ4 Φ6	5	92	82	194
DV064 DV066	Φ4 Φ6	6	107	97	228
DV074 DV076	Φ4 Φ6	7	122	112	255
DV084 DV086	Φ4 Φ6	8	137	127	290
DV094 DV096	Φ4 Φ6	9	152	142	321
DV104 DV106	Φ4 Φ6	10	167	157	355

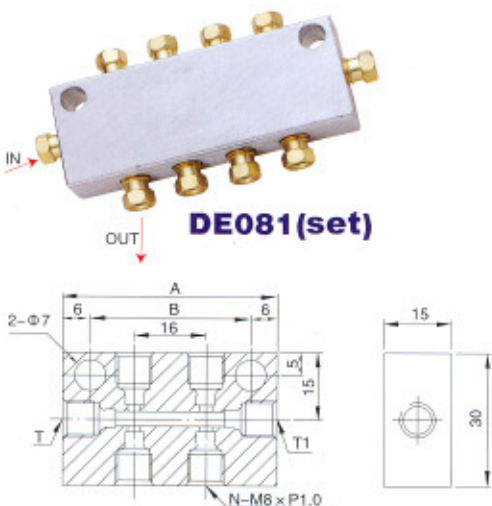
DB Oil Distributor



Model	T/T1	No. of bores	A	B	Weight (g)
DB041 DB042 DB043	Φ4 Φ4 Φ6 Φ4 Φ6 Φ6	4	48	35-36	59
DB051 DB052 DB053	Φ4 Φ4 Φ6 Φ4 Φ6 Φ6	5	64	51-52	76
DB061 DB062 DB063	Φ4 Φ4 Φ6 Φ4 Φ6 Φ6	6	80	68	96
DB071 DB072 DB073	Φ4 Φ4 Φ6 Φ4 Φ6 Φ6	7	96	84	113
DB081 DB082 DB083	Φ4 Φ4 Φ6 Φ4 Φ6 Φ6	8	112	95-100	135
DB091 DB092 DB093	Φ4 Φ4 Φ6 Φ4 Φ6 Φ6	9	128	116	145
DB101 DB102 DB103	Φ4 Φ4 Φ6 Φ4 Φ6 Φ6	10	144	132	164
DB121 DB122 DB123	Φ4 Φ4 Φ6 Φ4 Φ6 Φ6	12	176	164	201

* Order per specification is welcome

DE Oil Distributor



Model	T/T1	No. of output bores	A	B	Weight (g)
DE041 DE042 DE043	Φ4 Φ4 Φ6 Φ4 Φ6 Φ6	4	48	36	70
DE061 DE062 DE063	Φ4 Φ4 Φ6 Φ4 Φ6 Φ6	6	64	52	92
DE081 DE082 DE083	Φ4 Φ4 Φ6 Φ4 Φ6 Φ6	8	80	68	116
DE101 DE102 DE103	Φ4 Φ4 Φ6 Φ4 Φ6 Φ6	10	96	84	138
DE121 DE122 DE123	Φ4 Φ4 Φ6 Φ4 Φ6 Φ6	12	112	99	159

* Order per specification is welcome

* 1. The above unit without mentioning is all "mm".
 * 2. The unit by "set" is available to compression sleeve and compression bushing.
 The unit by "piece" is only available to distributor.