

Hose Reel
Product Catalogue



JSG Industrial Systems
quality industry solutions

Lubrication
Management
Systems

Material
Dispensing
Management
Systems

Hose & Cable
Management
Systems

Diesel & Fluid
Management
Systems

Fire
Suppression
Systems

Onboard
Weighing
Systems

Flow
Measurement
Systems

General
Lubrication
& Exhaust
Extraction

Hose Reels

JSG Industrial Systems have hose reels that have been designed with quality, strength, durability and serviceability in mind. Whether it be material dispensing, ergonomics, environmental and OH & S issues or hose storage, we have hose reels which are available in either manual, spring, air or hydraulic rewind configuration. They are designed to handle hose from ¼" to 2" to cater for most of the markets requirements. Several models can be supplied upon request without any aluminium parts making them suitable for underground coal mining use.

OH & S is a major concern for companies with potential problems caused by hoses lying around shop floors or hanging from ceilings. These problems can effect maintenance costs and create potentially unsafe areas. JSG provide hose reels which are designed to safely rewind and store hoses away from hazardous locations on service vehicles, machinery or shop floor, and thereby providing a safer working environment. The commonly dispensed products when using hose reels are Air, Water, Oil and Grease.

Selection of a hose is commonly based on duty cycle, mode of retraction, product to be dispensed, hose capacity, pressure rating and flow rate. The selection of a hose reel can vary greatly according to model and intended use.

To confirm that your hose reel selection is suitable for your application please contact your nearest JSG representative.



Mine Service Vehicle



Service Truck

Contents

Cobra Hose Reels Features & Benefits		4
Cobra Hose Reels	<i>1/2" ~ 1 1/2" Manual Rewind Hose Reels without Hose Kit</i>	6
	<i>1/2" Manual Rewind Hose Reels with Hose Kit</i>	7
	<i>1/4" ~ 3/8" Spring Rewind Hose Reels without Hose Kit</i>	8
	<i>1/4" ~ 3/8" Spring Rewind Hose Reels with Hose Kit</i>	9
	<i>1/2" Spring Rewind Hose Reels without Hose Kit</i>	10
	<i>1/2" Spring Rewind Hose Reels with Hose Kit</i>	11
	<i>3/4" ~ 1 1/2" Spring Rewind Hose Reels without Hose Kit</i>	12
	<i>3/4" ~ 1 1/2" Spring Rewind Hose Reels with Hose Kit</i>	13
	<i>1/2" ~ 2" Direct Drive Hydraulic or Air Drive Hose Reels without Hose Kit</i>	14
	<i>1/2" ~ 1 1/2" Direct Drive Hydraulic or Air Drive Hose Reels with Hose Kit</i>	15
	<i>Cobra and Lincoln Hose Stops</i>	16
Gleason Cable Reels	<i>Static Discharge Cable Reels</i>	17
	<i>Electrical Cable Reels</i>	18
Hose Reel Dimensions	<i>Cobra Manual Rewind Hose Reels</i>	19
	<i>Cobra MP300 Series Hose Reels</i>	20
	<i>Cobra GP2000 Series Spring Rewind Hose Reels</i>	20
	<i>Cobra GPE Series Spring Rewind Hose Reels</i>	21
	<i>Cobra NS200 Series Spring Rewind Hose Reels</i>	21
	<i>Cobra NS600 ~ NS1800 Spring Rewind Series Hose Reels</i>	22
	<i>Cobra 913 & 920 Direct Drive Series Hose Reels</i>	23
	<i>Cobra 925 & 940 Direct Drive Series Hose Reels</i>	24
	<i>Custom Reeling 950 Direct Drive Series Hose Reels</i>	25
	<i>Gleason Open & Enclosed Static Discharge Cable Reels</i>	26

Cobra Hose Reels

Cobra Hose Reels are open style hose reels available in manual, spring retractable or direct drive configuration. The Cobra hose Reels are designed for heavy duty use. Their high strength frames and quality design make them the ideal reel to be used in rugged environments where the demand for a reliable hose reel with high flow rates, large hose capacity and a high duty cycle is a necessity.

Upon request, Hose Reels can be supplied having no aluminium components making them acceptable for underground coal mine use.



Compact, high strength rigid frame and drum combines superior strength with a compact design for space limiting installations

Improved durable epoxy powder coating process for long life and scratch resistant finish

Sealed roller bearings fitted with covers to stop dirt or high pressure water ingress in machine washdown

Chrome Plated roller outlet guides are fitted to all 1/4" to 1 1/2" hose reels for durability and ease of operation



NEW Gooseneck design improves the flow rates

Factory lubricated power spring contained in a fully sealed serviceable canister. All Series 600 and above have externally mounted power springs for ease of replacement in the field if required

All new oil swivels on lube reels are BSP in configuration complete with Dowty washers. Super swivels are used on the Grease Hose reels to allow hose retraction even while under full pressure. The swivels used have a full flowpath and are able to withstand heavy sideloads

Drum spaces precision machined to improve drum alignment and prevent runout



The hose reel latch pawl and spring are attached to a service plate

Colour Coding Identification

AIR	OIL	GREASE	DIESEL
-----	-----	--------	--------

Refer to Hose with Hose Reel table

Example: Cobra 09-NS800-HD/LDF-16/16 Hose Reel

Hose Reel Features & Benefits

Features

Benefits

New improved flow path goose neck design C/W JIC male fitting & shaft incorporates spanner fitment slot



Increase flow rate ease of hose fitment, reduced leak potential, ability to hold shaft in position whilst connecting swivel



New service plate cover on NS series reels C/W PAWL, spring and pin assembly



Ease of replacement and focus on safety



New PAWL design



Improve quality and enable PAWL swivelling freely



All new oil swivels on lube reels, BSP configuration C/W dowty washers

Ease of swivel fitment and improved sealing method, improve quality

New design on hose guide brackets C/W chrome plated rollers

Improve retract ability and reduce hose friction. Longer hose life

Redesign drum spacers, CNC machined

Improved drum alignment, close tolerances - improved quality

Powder coating

New process, improved adhesion and finished

920 & 925 series direct drive reels have new drum design

Improved drum alignment and quality factor

New packing material

New tri wall boxes, reduce the risk of product being damaged, eliminate product shifting in transport

1/2" ~ 1 1/2" Manual Rewind Hose Reels *without Hose Kit*

With a long hose length capacity the Cobra HW Series manual rewind hose reels are suitable for dispensing lubricating oils, air and water in general, agricultural and mining industries where high hose lengths do not permit spring rewind and no other power medium is available.

Special Features

- Geared Crank allows rewinding from the front of reel
- Fitted with adjustable brake to prevent free reeling
- Long Hose Capacity up to 60m
- When rewinding overcomes hose and weight
- Large Hose diameters up to 1 1/2" I.D. Hose



Crank Rewind Series

1/2" ~ 3/4" Manual Rewind Hose Reels *without Hose Kit*

Part Number / Ordering Number	Description	Max. Hose Size	Max. Hose Length	Swivel Inlet Thread	Outlet Thread	Max. Working Pressure
09-HW300-30/08	Bare Manual Rewind Reel	1/2" ~ 3/4"	30m	3/4" BSPP Female	1 1/16" JIC Male	200 bar
09-HW400-50/08	Bare Manual Rewind Reel	1/2" ~ 3/4"	50m	3/4" BSPP Female	1 1/16" JIC Male	200 bar

3/4" ~ 1 1/2" Crank Rewind Hose Reels *without Hose Kit*

Part Number / Ordering Number	Description	Max. Hose Size	Max. Hose Length	Swivel Inlet Thread	Outlet Thread	Max. Working Pressure
20-920-30F-GR2	Bare Gear Crank Rewind Reel	3/4"	30m	3/4" NPT	3/4" NPT	200 bar
20-920-60F-GS	Bare Gear Crank Rewind Reel	3/4"	60m	3/4" NPT	3/4" NPT	200 bar
20-925-30F-GR2	Bare Gear Crank Rewind Reel	1"	30m	1" NPT	1" NPT	200 bar
20-925-30C-GR2	Bare Gear Crank Rewind Reel	1"	30m	1" NPT	1" NPT	40 bar
20-925-60C-GR2	Bare Gear Crank Rewind Reel	1"	60m	1" NPT	1" NPT	40 bar
20-940-15C-GR2	Bare Gear Crank Rewind Reel	1 1/2"	15m	1 1/2" NPT	1 1/2" NPT	40 bar
20-940-30C-GS	Bare Gear Crank Rewind Reel	1 1/2"	30m	1 1/2" NPT	1 1/2" NPT	40 bar
20-940-60C-GS	Bare Gear Crank Rewind Reel	1 1/2"	60m	1 1/2" NPT	1 1/2" NPT	40 bar

Hoses available on request for the Crank Rewind Reels

Refer to page 19 ~ 26 for Hose Reel dimensional drawings

1/2" Manual Rewind Hose Reels *with Hose Kit*

The hoses used on these reels are of the recommended maximum length and pressure rating, 13 bar for Air/Water hoses and 200 bar for the Oil hoses.

The hose outlet end fittings for these reels are 1/2" BSPT Male, which accommodates most common accessories for this hose size and hose reel application.



HW Series

Special Features

- Manual rewind from the side of reel
- Fitted with adjustable brake to prevent free reeling
- Long hose length capacity
- Durable Blue Epoxy Powder Coated finish
- No Aluminium Components

1/2" Manual Rewind Hose Reels *with Air/Water Hose Kit*

Part Number / Ordering Number	Description	Max. Hose Size	Max. Hose Length	Swivel Inlet Thread	Hose End Fitting Thread	Max. Working Pressure
19-HW300-30/08A	Manual Rewind Reel with Air/Water Hose	1/2"	30m	3/4" BSPP Female	1/2" BSPT Male	13 bar
19-HW400-50/08A	Manual Rewind Reel with Air/Water Hose	1/2"	50m	3/4" BSPP Female	1/2" BSPT Male	13 bar

1/2" Crank Rewind Hose Reels *with Oil Hose Kit*

Part Number / Ordering Number	Description	Max. Hose Size	Max. Hose Length	Swivel Inlet Thread	Hose End Fitting Thread	Max. Working Pressure
19-HW300-30/08F	Manual Rewind Reel with Oil Hose	1/2"	30m	3/4" BSPP Female	1/2" BSPT Male	200 bar
19-HW400-50/08F	Manual Rewind Reel with Oil Hose	1/2"	50m	3/4" BSPP Female	1/2" BSPT Male	200 bar

Hose Kit comprises of ; Main Hose assembly, Hose stop & 1 metre whip hose

Refer to page 19 ~ 26 for Hose Reel dimensional drawings

1/4" ~ 3/8" Spring Rewind Hose Reels *without Hose Kit*

The Cobra series of 1/4" ~ 3/8" spring retractable reels are suitable for dispensing lubricating oils, petrochemical products, air and water and with their compact frame and high strength are ideal for mining, general industry and automotive workshops.

The MP300 series hose reel is designed as a very compact grease hose reel and is commonly installed in excavator tool boxes and used in conjunction with the JSG compact pump stations.

Special Features

- Compact Frame
- High Strength Frame and Drum
- Durable Blue Epoxy Powder Coated finish
- No Aluminium Components
- High Flow main shaft assembly
- Sealed spring for longer life
- Optimum weight to strength ratio
- Heavy gauge steel components



1/4" ~ 3/8" Spring Rewind Hose Reels *without Hose Kit*

Part Number / Ordering Number	Description	Max. Hose Size	Max. Hose Length	Swivel Inlet Thread	Outlet Thread	Max. Working Pressure
09-MP300-HPG-10/04	Bare Spring Rewind Grease Reel	1/4"	10m	1/4" BSP Female	7/16" JIC Male	350 bar
09-GPE-HPG-15/06	Bare Spring Rewind Grease Reel	1/4" ~ 3/8"	15m	1/2" NPT Female	9/16" JIC Male	350 bar
09-GP2000-HPG-15/06	Bare Spring Rewind Grease Reel	1/4" ~ 3/8"	15m	1/2" NPT Female	9/16" JIC Male	400 bar
09-NS200-HPG-15/06	Bare Spring Rewind Grease Reel	1/4" ~ 3/8"	15m	1/2" NPT Female	9/16" JIC Male	400 bar
09-NS600-HPG-25/06	Bare Spring Rewind Grease Reel	3/8"	25m	1/2" NPT Female	9/16" JIC Male	400 bar

For standard 3/8" AWL Reels without Hose Kit refer to 1/2" Hose Table page 10

Refer to page 19 ~ 26 for Hose Reel dimensional drawings

Cobra Hose Reels

1/4" ~ 3/8" Spring Rewind Hose Reels *with Hose Kit*

The hoses used on these reels are of the recommended maximum length and pressure rating. The hose outlet end fittings for the Air/Water and Oil reels are 3/8" BSPT Male, which accommodates most common accessories for this hose size and hose reel application.

Special Features

- Compact Frame
- High Strength Frame and Drum
- Durable Blue Epoxy Powder Coated finish
- No Aluminium Components
- High Flow main shaft assembly
- Sealed spring for longer life



NS Series

3/8" Spring Rewind Hose Reels *with Air/Water Hose Kit*

Part Number / Ordering Number	Description	Max. Hose Size	Max. Hose Length	Swivel Inlet Thread	Hose End Fitting Thread	Max. Working Pressure
19-GPE-AWL-15/06A	Spring Rewind Reel with Air/Water Hose	3/8"	15m	1/2" BSPP Female	3/8" BSPT Male	13 bar
19-GP2000-AWL-15/06A	Spring Rewind Reel with Air/Water Hose	3/8"	15m	1/2" BSPP Female	3/8" BSPT Male	13 bar

3/8" Spring Rewind Hose Reels *with Oil Hose Kit*

Part Number / Ordering Number	Description	Max. Hose Size	Max. Hose Length	Swivel Inlet Thread	Hose End Fitting Thread	Max. Working Pressure
19-GPE-AWL-15/06F	Spring Rewind Reel with Oil Hose	3/8"	15m	1/2" NPT Female	3/8" NPT Male	100 bar
19-GP2000-AWL-15/06F	Spring Rewind Reel with Oil Hose	3/8"	15m	3/4" BSPP Female	3/8" NPT Male	160 bar

1/4" ~ 3/8" Spring Rewind Hose Reels *with Grease Hose Kit*

Part Number / Ordering Number	Description	Max. Hose Size	Max. Hose Length	Swivel Inlet Thread	Hose End Fitting Thread	Max. Working Pressure
19-MP300-HPG-10/04G	Spring Rewind Reel with Grease Hose	1/4"	10m	1/4" BSPP Female	7/16" JIC Female	250 bar
19-GPE-HPG-15/06G	Dual Arm Open Grease Reel with Grease Hose	3/8"	15m	1/2" NPT Female	1/2" 27TPI Female	350 bar
19-GP2000-HPG-15/06G	Dual Arm Open Grease Reel with Grease Hose	3/8"	15m	1/2" NPT Female	1/2" 27TPI Female	350 bar
19-NS200-HPG-15/06G	Dual Arm Open Grease Reel with Grease Hose	3/8"	15m	1/2" NPT Female	1/2" 27TPI Female	350 bar
19-NS600-HPG-25/06G	Dual Arm Open Grease Reel with Grease Hose	3/8"	25m	1/2" NPT Female	1/2" 27TPI Female	350 bar

Hose Kit comprises of ; Main Hose assembly, Hose stop & 1 metre whip hose

Refer to page 19 ~ 26 for Hose Reel dimensional drawings

1/2" Spring Rewind Hose Reels *without Hose Kit*

The Cobra range 1/2" AWL and HPG spring retractable reels are suitable for dispensing lubricating oils, petrochemical products, air and water in the mining, general industry and truck and bus service markets.

Special Features

- Compact Frame
- High Strength Frame and Drum
- Durable Blue Epoxy Powder Coated finish
- No Aluminium Components
- High Flow main shaft assembly
- Sealed spring for longer life
- Optimum weight to strength ratio



NS Series

1/2" Spring Rewind Hose Reels *without Hose Kit*

Part Number / Ordering Number	Description	Max. Hose Size	Max. Hose Length	Swivel Inlet Thread	Outlet Thread	Max. Working Pressure
09-GPE-AWL-15/08	Bare Spring Rewind Reel	1/2"	15m	1/2" BSPP Female	3/4" JIC Female	100 bar
09-GP2000-AWL-15/08	Bare Spring Rewind Reel	1/2"	15m	3/4" BSPP Female	3/4" JIC Male	220 bar
09-NS200-AWL-15/08	Bare Spring Rewind Reel	1/2"	15m	1/2" BSPP Female	3/4" JIC Male	100 bar
09-NS600-AWL-30/08	Bare Spring Rewind Reel	1/2"	30m	3/4" BSPP Female	1 1/16" JIC Male	220 bar

Refer to page 19 ~ 26 for Hose Reel dimensional drawings

1/2" Spring Rewind Hose Reels *with Hose Kit*

The hoses used on these reels are of the recommended maximum length and pressure rating. The hose outlet end fittings for the Air/Water and Oil reels are 1/2" NPT Male, which accommodates most common accessories for this hose size and hose reel application.

Special Features

- Compact Frame
- High Strength Frame and Drum
- Durable Blue Epoxy Powder Coated finish
- No Aluminium Components
- High Flow main shaft assembly
- Sealed spring for longer life



GP2000 Series

1/2" Spring Rewind Hose Reels *with Air/Water Hose Kit*

Part Number / Ordering Number	Description	Max. Hose Size	Max. Hose Length	Swivel Inlet Thread	Hose End Fitting Thread	Max. Working Pressure
19-GPE-AWL-15/08A	Spring Rewind Reel with Air/Water Hose	1/2"	15m	1/2" BSPP Female	1/2" NPT Male	13 bar
19-GP2000-AWL-15/08A	Spring Rewind Reel with Air/Water Hose	1/2"	15m	1/2" BSPP Female	1/2" NPT Male	13 bar
19-NS200-AWL-15/08A	Spring Rewind Reel with Air/Water Hose	1/2"	15m	1/2" BSPP Female	1/2" NPT Male	13 bar
19-NS600-AWL-18/08A	Spring Rewind Reel with Air/Water Hose	1/2"	18m	3/4" BSPP Female	1/2" NPT Male	13 bar
19-NS600-AWL-30/08A	Spring Rewind Reel with Air/Water Hose	1/2"	30m	3/4" BSPP Female	1/2" NPT Male	13 bar

1/2" Spring Rewind Hose Reels *with Oil Hose Kit*

Part Number / Ordering Number	Description	Max. Hose Size	Max. Hose Length	Swivel Inlet Thread	Hose End Fitting Thread	Max. Working Pressure
19-GPE-AWL-15/08F	Spring Rewind Reel with Oil Hose	1/2"	15m	1/2" BSPP Female	1/2" NPT Male	100 bar
19-GP2000-AWL-15/08F	Spring Rewind Reel with Oil Hose	1/2"	15m	1/2" BSPP Female	1/2" NPT Male	100 bar
19-NS200-AWL-15/08F	Spring Rewind Reel with Oil Hose	1/2"	15m	1/2" BSPP Female	1/2" NPT Male	100 bar
19-NS600-AWL-18/08F	Spring Rewind Reel with Oil Hose	1/2"	18m	3/4" BSPP Female	1/2" NPT Male	100 bar
19-NS600-AWL-30/08F	Spring Rewind Reel with Oil Hose	1/2"	30m	3/4" BSPP Female	1/2" NPT Male	100 bar

1/2" Spring Rewind Hose Reels *with Grease Hose Kit*

Part Number / Ordering Number	Description	Max. Hose Size	Max. Hose Length	Swivel Inlet Thread	Hose End Fitting Thread	Max. Working Pressure
19-NS600-HPG-25/08G	Spring Rewind Reel with Grease Hose	1/2"	25m	1/2" NPT Female	1/2" BSPT Male	350 bar

Hose Kit comprises of ; Main Hose assembly, Hose stop & 1 metre whip hose

Refer to page 19 ~ 26 for Hose Reel dimensional drawings

Cobra Hose Reels

$\frac{3}{4}$ " ~ $1\frac{1}{2}$ " Spring Rewind Hose Reels *without Hose Kit*

The Cobra series of $\frac{3}{4}$ " ~ $1\frac{1}{2}$ " spring retractable Hose Reels are designed for mining, heavy industrial applications. They are suitable for dispensing lubricating oils, petrochemical products, diesel fuel, air and water. With their compact frame these reels are ideal for such applications as quarry and mining service vehicles and workshops.

Special Features

- Compact Frame
- High Strength Frame and Drum
- Durable Blue Epoxy Powder Coated finish
- No Aluminium Components
- High Flow main shaft assembly
- Sealed spring for longer life
- Optimum weight to strength ratio
- All bolted heavy gauge steel components



NS Series

$\frac{3}{4}$ " - $1\frac{1}{2}$ " Spring Rewind Hose Reels *without Hose Kit*

Part Number / Ordering Number	Description	Max. Hose Size	Max. Hose Length	Swivel Inlet Thread	Outlet Thread	Max. Working Pressure
09-NS600-AWL-15/12	Bare Spring Rewind Reel	$\frac{3}{4}$ "	15m	$\frac{3}{4}$ " BSPP Female	$1\frac{1}{16}$ " JIC Male	220 bar
09-NS800-LDF-15/16	Bare Spring Rewind HD Reel	1"	15m	1" BSPP Female	$1\frac{5}{16}$ " JIC Male	100 bar
09-NS1000-LDF-25/16	Bare Spring Rewind HD Reel	1"	25m	1" BSPP Female	$1\frac{5}{16}$ " JIC Male	100 bar
09-NS1800-LDF-15/24	Bare Spring Rewind HD Reel	$1\frac{1}{2}$ "	15m	$1\frac{1}{2}$ " BSPP Female	$1\frac{7}{8}$ " JIC Male	100 bar

Refer to page 19 ~ 26 for Hose Reel dimensional drawings

Cobra Hose Reels

$\frac{3}{4}$ " ~ $1\frac{1}{2}$ " Spring Rewind Hose Reels *with Hose Kit*

The hoses used on these reels are of the recommended maximum length and pressure rating. The hose outlet end fittings for the $\frac{3}{4}$ " ~ $1\frac{1}{2}$ " Hose Reels is NPT male and correspond to the hose size fitted to the reels e.g. 1" hose ~ 1" NPT male, this thread size accommodates most common accessories for this hose size and hose reel application.



NS Series

Special Features

- Compact Frame
- High Strength Frame and Drum
- Durable Blue Epoxy Powder Coated finish
- No Aluminium Components
- High Flow main shaft assembly
- Sealed spring for longer life

$\frac{3}{4}$ " - $1\frac{1}{2}$ " Spring Rewind Hose Reels *with Air/Water Hose Kit*

Part Number / Ordering Number	Description	Max. Hose Size	Max. Hose Length	Swivel Inlet Thread	Hose End Fitting Thread	Max. Working Pressure
19-NS600-AWL-15/12A	Spring Rewind Reel with Air /Water Hose	$\frac{3}{4}$ "	15m	$\frac{3}{4}$ " BSPP Female	$\frac{3}{4}$ " BSPT Male	40 bar

$\frac{3}{4}$ " - $1\frac{1}{2}$ " Spring Rewind Hose Reels *with Oil Hose Kit*

Part Number / Ordering Number	Description	Max. Hose Size	Max. Hose Length	Swivel Inlet Thread	Hose End Fitting Thread	Max. Working Pressure
19-NS600-AWL-15/12F	Spring Rewind Reel with Oil Hose	$\frac{3}{4}$ "	15m	$\frac{3}{4}$ " BSPP Female	$\frac{3}{4}$ " BSPT Male	100 bar
19-NS800-LDF-15/16F	Spring Rewind Reel with Oil Hose	1"	15m	1" BSPP Female	1" NPT Male	100 bar
19-NS800-HDLDF-15/16F	Spring Rewind Reel with Oil Hose	1"	15m	1" BSPP Female	1" NPT Male	100 bar
19-NS1000-LDF-25/12F	Spring Rewind Reel with Oil Hose	$\frac{3}{4}$ "	25m	1" BSPP Female	$\frac{3}{4}$ " NPT Male	100 bar
19-NS1000-LDF-25/16F	Spring Rewind Reel with Oil Hose	1"	25m	1" BSPP Female	1" NPT Male	100 bar

$\frac{3}{4}$ " - $1\frac{1}{2}$ " Spring Rewind Hose Reels *with Diesel Hose Kit*

Part Number / Ordering Number	Description	Max. Hose Size	Max. Hose Length	Swivel Inlet Thread	Hose End Fitting Thread	Max. Working Pressure
19-NS800-LDF-15/16D	Spring Rewind Reel with Diesel Hose	1"	15m	1" BSPP Female	1" NPT Male	40 bar
19-NS1000-LDF-25/16D	Spring Rewind Reel with Diesel Hose	1"	25m	1" BSPP Female	1" NPT Male	40 bar
19-NS1800-LDF-15/20D	Spring Rewind Reel with Diesel Hose	$1\frac{1}{4}$ "	15m	$1\frac{1}{2}$ " BSPP Female	$1\frac{1}{2}$ " NPT Male	40 bar
19-NS1800-LDF-15/24D	Spring Rewind Reel with Diesel Hose	$1\frac{1}{2}$ "	15m	$1\frac{1}{2}$ " BSPP Female	$1\frac{1}{2}$ " NPT Male	40 bar

Hose Kit comprises of ; Main Hose assembly, Hose stop & 1 metre whip hose

Refer to page 19 ~ 26 for Hose Reel dimensional drawings

1/2" ~ 2" Direct Drive Hydraulic or Air Drive Hose Reels *without Hose Kit*

The Direct Drive series of 1/2" ~ 2" Hose Reels are designed for applications requiring long or large diameter hoses in mining, quarrying and heavy industrial applications. They are suitable for dispensing lubricating oils, petrochemical products, diesel fuel, air and water. There are three drives available for the direct drive hose reels, Hydraulic, Air and Compact Air Rotary.

Special Features

- Compact Frame
- High Strength Frame and Drum
- Durable Blue Epoxy Powder Coated finish
- High Flow main shaft assembly
- Three drive styles available
- All bolted, heavy gauge steel components



Standard Direct Drive Series Air & Hydraulic



CPM Direct Drive Series

Direct Drive Hydraulic or Air Drive Bare Hose Reels *without Hose Kit*

Part Number / Ordering Number	Description	Max. Hose Size	Max. Hose Length	Swivel Inlet Thread	Outlet Thread	Max. Working Pressure
09-913-30G-AS	Direct Air Drive Hose Reel with brake	1/2"	30m	1/2" NPT Female	3/4" JIC Male	500 bar
09-913-30G-ASCPM	Direct Air Compact Drive Hose Reel	1/2"	30m	1/2" NPT Female	3/4" JIC Male	500 bar
09-913-30G-HS	Direct Hydraulic Drive Hose Reel with brake	1/2"	30m	1/2" NPT Female	3/4" JIC Male	500 bar
09-920-40F-AS	Direct Air Drive Hose Reel	3/4"	40m	3/4" BSPP Female	1 1/16" JIC Male	220 bar
09-920-40F-ASCPM	Direct Air Compact Drive Hose Reel	3/4"	40m	3/4" BSPP Female	1 1/16" JIC Male	220 bar
09-920-40F-HS	Direct Hydraulic Drive Hose Reel	3/4"	40m	3/4" BSPP Female	1 1/16" JIC Male	220 bar
09-925-30F-AS	Direct Air Drive Hose Reel	1"	30m	1" BSPP Female	1 5/16" JIC Male	220 bar
09-925-30F-ASCPM	Direct Air Compact Drive Hose Reel	1"	30m	1" BSPP Female	1 5/16" JIC Male	220 bar
09-925-30F-HS	Direct Hydraulic Drive Hose Reel	1"	30m	1" BSPP Female	1 5/16" JIC Male	220 bar
09-940-15C-AS	Direct Air Drive Hose Reel	1 1/2"	15m	1 1/2" BSPP Female	1 7/8" JIC Male	100 bar
09-940-15C-ASCPM	Direct Air Compact Drive Hose Reel	1 1/2"	15m	1 1/2" BSPP Female	1 7/8" JIC Male	100 bar
09-940-15C-HS	Direct Hydraulic Drive Hose Reel	1 1/2"	15m	1 1/2" BSPP Female	1 7/8" JIC Male	100 bar
20-950-15B-AS	Custom Reel Direct Air Drive Hose Reel	2"	15m	2" NPT Female	2" NPT Female	40 bar
20-950-15B-HS	Custom Reel Direct Hydraulic Drive Hose Reel	2"	15m	2" NPT Female	2" NPT Female	40 bar

Refer to page 19 ~ 26 for Hose Reel dimensional drawings

1/2" ~ 1 1/2" Direct Drive Hydraulic or Air Drive Hose Reels *with Hose Kit*

The hoses used on these reels are of the recommended maximum length and pressure rating. The hose outlet end fittings for the 3/4" ~ 1 1/2" Hose Reels is NPT male and correspond to the hose size fitted to the reels e.g. 1" hose ~ 1" NPT male, this thread size accommodates most common accessories for this hose size and hose reel application.

Direct Drive Hydraulic or Air Drive Bare Hose Reels *with Hose Kit*

Part Number / Ordering Number	Description	Max. Hose Size	Max. Hose Length	Swivel Inlet Thread	Hose End Fitting Thread	Max. Working Pressure
19-913-30G-AS-A	Direct Air Drive Hose Reel with brake and Air Hose	1/2"	30m	1/2" NPT Female	1/2" NPT Male	13 bar
19-913-30G-AS-F	Direct Air Drive Hose Reel with brake and Oil Hose	1/2"	30m	1/2" NPT Female	1/2" NPT Male	100 bar
19-913-30G-AS-G	Direct Air Drive Hose Reel with brake and Grease Hose	1/2"	30m	1/2" NPT Female	1/2" NPT Male	500 bar
19-913-30G-ASCPM-A	Direct CPM Hose Reel with Air Hose	1/2"	30m	1/2" NPT Female	1/2" NPT Male	13 bar
19-913-30G-ASCPM-F	Direct CPM Hose Reel with Oil Hose	1/2"	30m	1/2" NPT Female	1/2" NPT Male	100 bar
19-913-30G-ASCPM-G	Direct CPM Hose Reel with Grease Hose	1/2"	30m	1/2" NPT Female	1/2" NPT Male	500 bar
19-913-30G-HS-A	Direct Hydraulic Drive Hose Reel with brake and Air Hose	1/2"	30m	1/2" NPT Female	1/2" NPT Male	13 bar
19-913-30G-HS-F	Direct Hydraulic Drive Hose Reel with brake and Oil Hose	1/2"	30m	1/2" NPT Female	1/2" NPT Male	100 bar
19-913-30G-HS-G	Direct Hydraulic Drive Hose Reel with brake and Grease Hose	1/2"	30m	1/2" NPT Female	1/2" NPT Male	500 bar
19-920-40F-AS-D	Direct Air Drive Hose Reel with brake and Diesel Hose	3/4"	40m	3/4" BSPP Female	3/4" NPT Male	40 bar
19-920-40F-AS-F	Direct Air Drive Hose Reel with brake and Oil Hose	3/4"	40m	3/4" BSPP Female	3/4" NPT Male	100 bar
19-920-40F-ASCPM-D	Direct CPM Hose Reel with Diesel Hose	3/4"	40m	3/4" BSPP Female	3/4" NPT Male	40 bar
19-920-40F-ASCPM-F	Direct CPM Hose Reel with Oil Hose	3/4"	40m	3/4" BSPP Female	3/4" NPT Male	100 bar
19-920-40F-HS-D	Direct Hydraulic Drive Hose Reel with brake and Diesel Hose	3/4"	40m	3/4" BSPP Female	3/4" NPT Male	40 bar
19-920-40F-HS-F	Direct Hydraulic Drive Hose Reel with brake and Oil Hose	3/4"	40m	3/4" BSPP Female	3/4" NPT Male	100 bar
19-925-30F-AS-D	Direct Air Drive Hose Reel with brake and Diesel Hose	1"	30m	1" BSPP Female	1" NPT Male	40 bar
19-925-30F-AS-F	Direct Air Drive Hose Reel with brake and Oil Hose	1"	30m	1" BSPP Female	1" NPT Male	100 bar
19-925-30F-ASCPM-D	Direct CPM Hose Reel with Diesel Hose	1"	30m	1" BSPP Female	1" NPT Male	40 bar
19-925-30F-ASCPM-F	Direct CPM Hose Reel with Oil Hose	1"	30m	1" BSPP Female	1" NPT Male	100 bar
19-925-30F-HS-D	Direct Hydraulic Drive Hose Reel with brake and Diesel Hose	1"	30m	1" BSPP Female	1" NPT Male	40 bar
19-925-30F-HS-F	Direct Hydraulic Drive Hose Reel with brake and Oil Hose	1"	30m	1" BSPP Female	1" NPT Male	100 bar
19-940-15C-AS-D	Direct Air Drive Hose Reel with brake and Oil Hose	1 1/2"	15m	1 1/2" BSPP Female	1 1/2" NPT Male	40 bar
19-940-15C-ASCPM-D	Direct CPM Hose Reel with Diesel Hose	1 1/2"	15m	1 1/2" BSPP Female	1 1/2" NPT Male	40 bar
19-940-15C-HS-D	Direct Hydraulic Drive Hose Reel with brake and Diesel Hose	1 1/2"	15m	1 1/2" BSPP Female	1 1/2" NPT Male	40 bar

Hose Kit comprises of ; Main Hose assembly, Hose stop & 1 metre whip hose

Refer to page 19 ~ 26 for Hose Reel dimensional drawings

Cobra and Lincoln Hose Stops

Hose Stops prevent complete retraction of the hose while allowing overhang, this leaves the hose or attachment within reach of the operator.

Cobra Undrilled Hose Stops

Part Number / Ordering Number	Description
09-COB-HS-GP	Undrilled Cobra Hose Stop up to 1/2" I.D. for GP2000 & GPE Series Hose Reels
09-COB-HS-NS	Undrilled Cobra Hose Stop up to 1" I.D. for NS Series Hose Reels
09-COB-HS-NS1800	Undrilled Cobra Hose Stop up to 1 1/2" I.D. for NS1800 Series Hose Reels



09-COB-HS-NS

Lincoln Drilled Hose Stops

Part Number / Ordering Number	Description
01-085515	Drilled Hose Stop for 1/4" I.D. Hose
01-085516	Drilled Hose Stop for 3/8" ~ 1/2" I.D. Hose
01-085517	Drilled Hose Stop for 1/2" ~ 5/8" I.D. Hose
01-084122	Drilled Hose Stop for 1 1/4" I.D. Hose



01-085517



01-084122

Gleason Static Electricity Discharge Cable Reels

Grounding and Bonding Cables

Static Discharge Reels carry cables that prevent sparks from static electricity generated by movement and flow of flammable liquids. Bonding between containers during liquid transfer and connecting drums to an earth ground are required by industries and authorities. Various clamps and terminals allow a wide variety of uses. All cables are 7 x 19 stranded steel for maximum flexibility and conductivity. Insulated cables have Safety Orange jacket.

- Available in several lengths - insulated or non-insulated
- For longer reach or "Y", connect several cables with 1/4" terminal ends
- Five types of end connectors are available on request for all cables lengths and types: *Hand Clamp, Aircraft Clamp, Alligator Clip, C-Clamp and Round Grounding Plug*

Open Spool Static Electricity Discharge Reels

Ideal for a wide variety of grounding applications. Available with your choice of cable length and connector, all reels include spring rewind, centrifugal brake and ratchet lock. Cable is 7 x 7 stranded stainless steel with yellow polyester elastomer cover, 5/32" o.d. The Reel has safety orange baked polyester finish.



24-OSD050-SS-YL-SG-AL

Open Spool Features

- Spring Rewind with Centrifugal Brake
- Rugged Steel Construction
- Choice of Grounding Clamps and Plugs
- Stranded cable for maximum flexibility and conductivity
- Cable length up to 100' are available on request

Part Number / Ordering Number	Description	Cable Length
24-OSD050-SS-YL-SG-AL	Open Spool Static Discharge Reel with Alligator Clip	15m

Enclosed Spool Static Electricity Discharge Reels

Ideal for a wide variety of grounding applications, all reels include spring rewind, centrifugal brake and ratchet lock. Cable is 7 x 7 stranded stainless steel. The Reel has safety orange baked polyester finish.



24-SD-2050

Enclosed Spool Features

- Spring Rewind with Centrifugal Brake
- Rugged Steel Construction
- Stranded cable for maximum flexibility and conductivity
- "Y" Configuration also available

Part Number / Ordering Number	Description	Cable Length
24-SD-2050	Enclosed Static Discharge Reel	15m
24-SD-2050Y	Enclosed Static Discharge Reel	10.5 plus Dual 4.5m for "Y"
24-SD-2050N	Enclosed Static Discharge Reel with Nylon covered cable	15m
24-SD-2050OS	Enclosed Static Discharge Reel with Orange Nylon covered cable (meets grounding spec. of 6.67 Ohms resistance/25m cable)	15m

Refer to page 26 for dimensional drawings

Gleason Electrical Cable Reels

To complement the range of Hose Reels JSG have also available the Gleason Cable Reel range. The cable reels allow the flow of electric current through a Slip Ring and spool. The cable reels are used in Lift, Drag, Stretch and Retrieve applications.

Gleason "S" Series

Gleason "S" Series reels are spring driven electric cable reels designed to be mounted on moving machinery. Electric current flows from your power source to the current consumer through the cable that you specify. S Reels utilize self-contained slip ring assemblies which transfer current to the cable mounted on the rotating spool.

Models for longer travels are fitted with gear assemblies to provide many application possibilities.

Contact your nearest JSG Representative for specific application details.

"S" Cable Reel Features

- Models for 4 to 36 conductors
- 9m to 36m for lift, drag and stretch applications 60m for retrieve applications
- Up to 600 volt slip ring assemblies
- Optional slip ring enclosures for hazardous areas
- Painted with baked polyester for a long-lasting, durable finish
- Slip Ring ratings 35, 75, 125 & 200 amps.
- Standard is 35 & 75 amps
- Optional roller guide assembly



"S" Series Cable Reel

Gleason Cable-Master Series

Gleason Cable-Master Reel's rugged heavy duty design has been refined over many years of field use. They have either fully automatic or ratchet controlled spring rewind and contain all the features found in any reel in this size range.

Cable-Master Features

- Rolled cable guide
- Ratchet lock or easy to convert to tension reel
- 600 volt slip ring
- 3 to 12 conductors
- 6m to 21m long cables
- Painted with baked polyester for a long-lasting, durable finish
- Slip Ring ratings 35 & 55 amps
- Standard is 35 amps
- Optional swivel stand



Cable Master Series

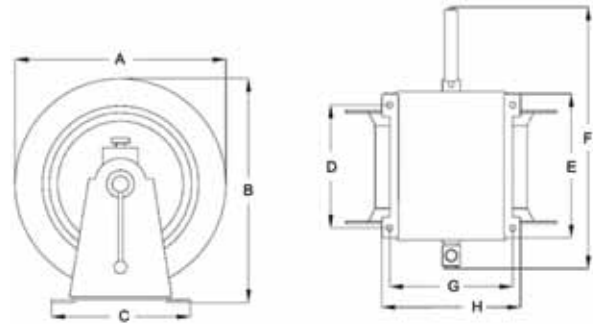
Other styles of Gleason Cable reels are available

For further detail on the Gleason Cable Reel Range please contact your nearest JSG representative or JSG distributor

Cobra Manual Rewind Hose Reels

09-HW300	
A	480mm
B	510mm
C	316mm
D	280mm
E	328mm
F	595mm
G	280mm
H	316mm

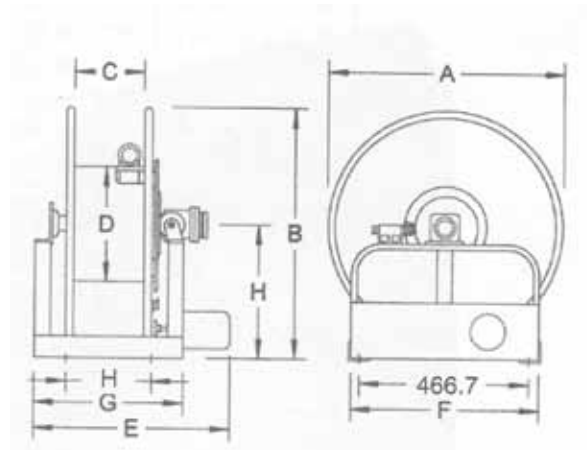
20-925-15F-GR	
A	457.2mm
B	495.3mm
C	381.0mm
D	279.4mm
E	635.0mm
F	508.0mm
G	558.8mm
H	355.6mm
I	466.7mm



09-HW300
09-HW400

09-HW400	
A	480mm
B	510mm
C	316mm
D	352mm
E	400mm
F	665mm
G	280mm
H	316mm

20-925-30C-GR2	
A	558.8mm
B	596.9mm
C	381.0mm
D	279.4mm
E	635.0mm
F	508.0mm
G	558.8mm
H	355.6mm
I	466.7mm



20-920, 925 & 940 Manual Crank Rewind Reels

20-920-30F-GR2	
A	558.8mm
B	596.9mm
C	254.0mm
D	279.4mm
E	482.6mm
F	508.0mm
G	406.4mm
H	229.2mm
I	466.7mm

20-925-60C-GR2	
A	635.0mm
B	673.1mm
C	508.0mm
D	279.4mm
E	762.0mm
F	508.0mm
G	685.8mm
H	482.6mm
I	466.7mm

20-920-60F-GS	
A	558.8mm
B	596.9mm
C	508.0mm
D	279.4mm
E	736.6mm
F	508.0mm
G	660.4mm
H	483.2mm
I	466.7mm

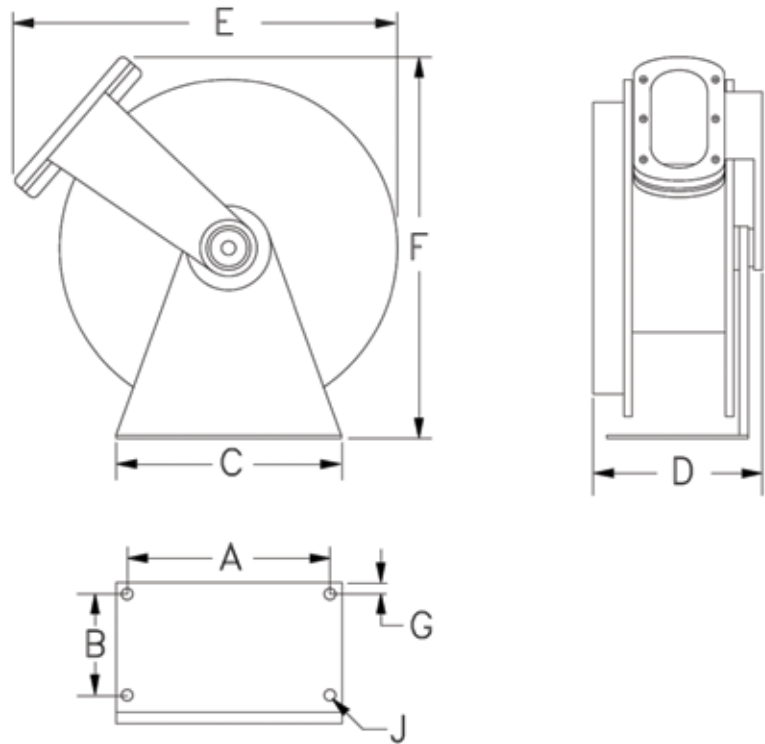
20-940-15C-GR2	
A	558.8mm
B	596.9mm
C	254.0mm
D	279.4mm
E	508.0mm
F	508.0mm
G	431.4mm
H	228.6mm
I	466.7mm

20-940-30C-GS	
A	508.0mm
B	546.1mm
C	762.0mm
D	279.4mm
E	1016.0mm
F	508.0mm
G	939.8mm
H	736.6mm
I	466.7mm

Cobra MP300 & GP2000 Series Spring Rewind Hose Reels

Cobra MP300 Hose Reel Spring Rewind Series

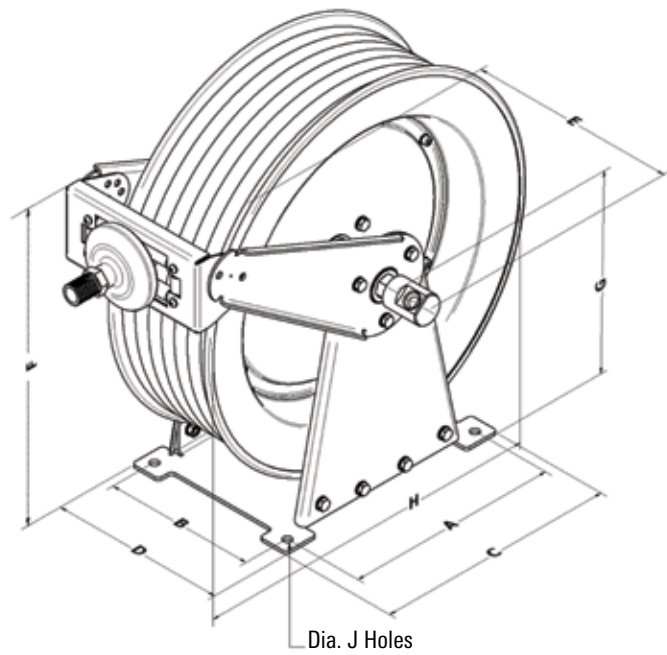
A	180mm
B	110mm
C	200mm
D	150mm
E	340mm
F	340mm
G	10mm
J	8mm



Cobra 09-MP300 Series

Cobra GP2000 Hose Reel Series

A	282mm
B	200mm
C	318mm
D	232mm
E	275mm
F	432mm
G	262mm
H	700mm
J	13mm

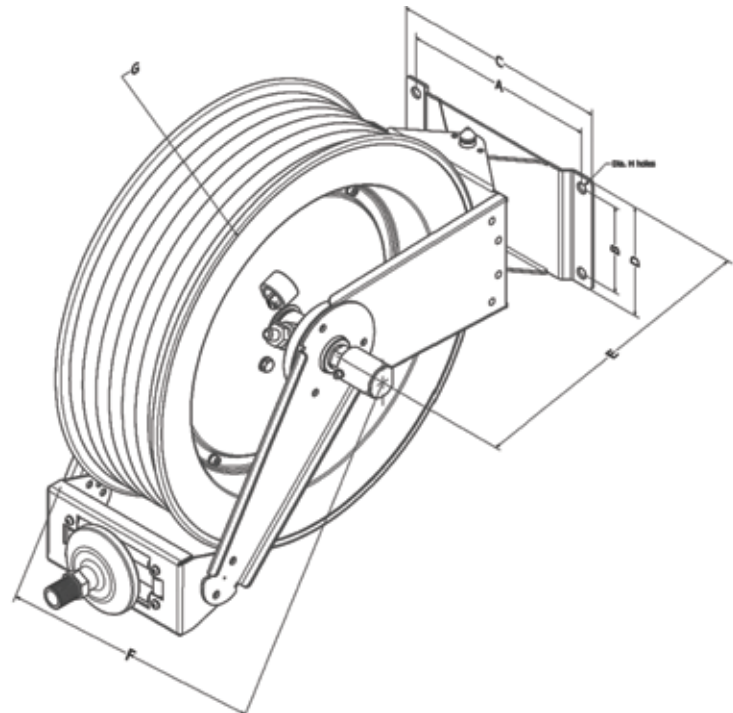


Cobra 09-GP2000 Series

Cobra GPE & NS200 Series Spring Rewind Hose Reels

Cobra GPE Hose Reel Spring Rewind Series

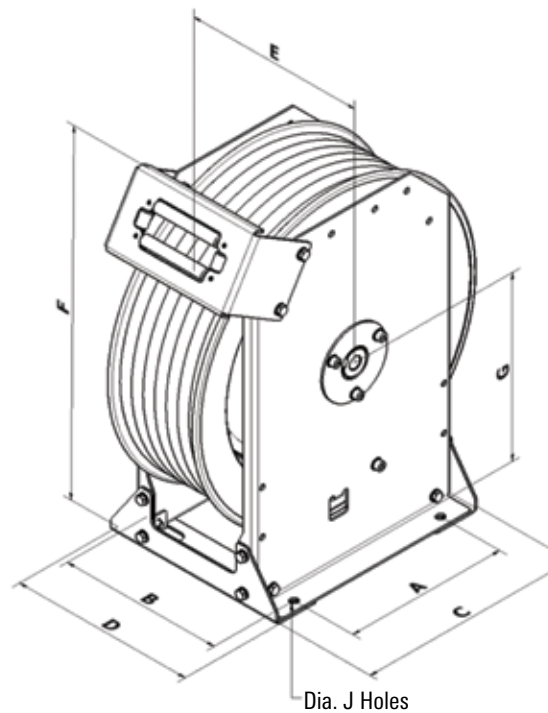
A	245mm
B	110mm
C	275mm
D	140mm
E	352mm
F	297mm
G	Dia. 462mm
J	Dia. 13mm



Cobra 09-GPE Series

Cobra NS200 Hose Reel Spring Rewind Series

A	250mm
B	250mm
C	340mm
D	280mm
E	270mm
F	560mm
G	285mm
J	Dia. 13mm



09-NS-200 Series

Hose Reel Dimensions

Cobra NS600 - NS1800 Spring Rewind Series Hose Reels

NS600-AWL-15/12	
A	250mm
B	275mm
C	340mm
D	305mm
E	365mm
F	585mm
G	285mm
H	505mm
J	13mm

NS1800-LDF-15/24	
A	370mm
B	377mm
C	462mm
D	405mm
E	502mm
F	747mm
G	423mm
H	750mm
J	13mm

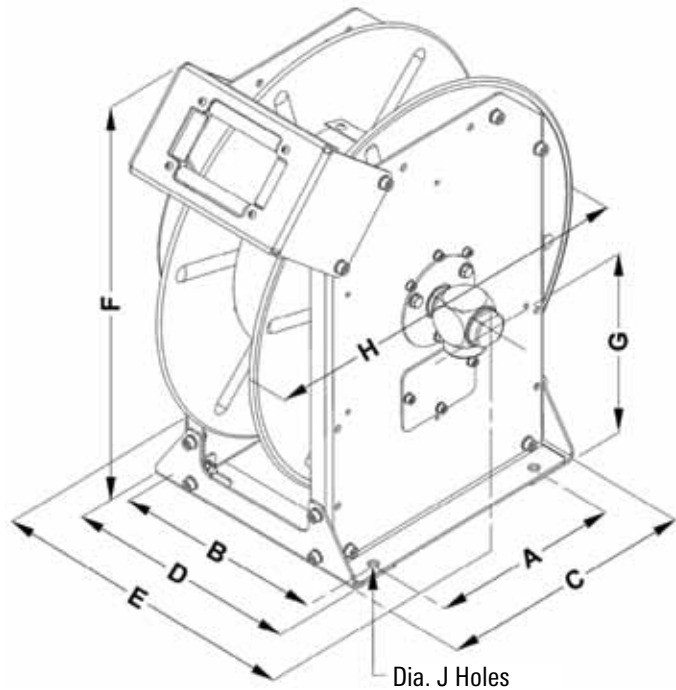
NS800-LDF-15/16	
A	250mm
B	275mm
C	340mm
D	305mm
E	365mm
F	660mm
G	340mm
H	605mm
J	13mm

NS600-AWL-30/08	
A	370mm
B	275mm
C	462mm
D	305mm
E	375mm
F	585mm
G	285mm
H	505mm
J	13mm

NS1000-LDF-25/16	
A	370mm
B	275mm
C	462mm
D	405mm
E	470mm
F	660mm
G	340mm
H	605mm
J	13mm

NS800-HD-LDF-15/16	
A	370mm
B	275mm
C	462mm
D	405mm
E	430mm
F	660mm
G	340mm
H	605mm
J	13mm

NS600-HPG-25/06	
A	370mm
B	275mm
C	462mm
D	305mm
E	375mm
F	585mm
G	285mm
H	505mm
J	13mm

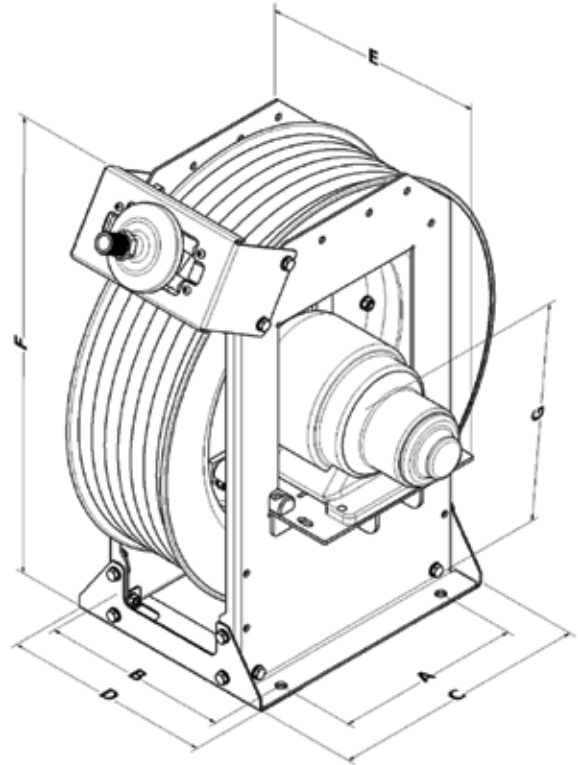


09-NS600 ~ 09-NS1800 Series

Cobra 913 & 920 Direct Drive Series Hose Reels

Cobra 913 Direct Drive Hose Reel Series

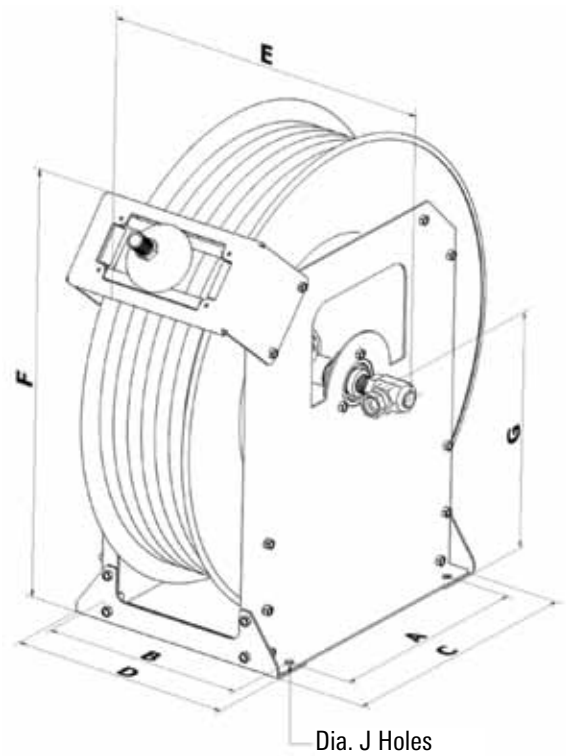
A	250mm
B	252mm
C	346mm
D	282mm
E	430mm
F	616mm
G	315mm



Cobra 09-913 Series

Cobra 920 Direct Drive Hose Reel Series

A	370mm
B	326mm
C	452mm
D	355mm
E	526mm
F	644mm
G	367mm
H	700mm
J	17mm



Dia. J Holes

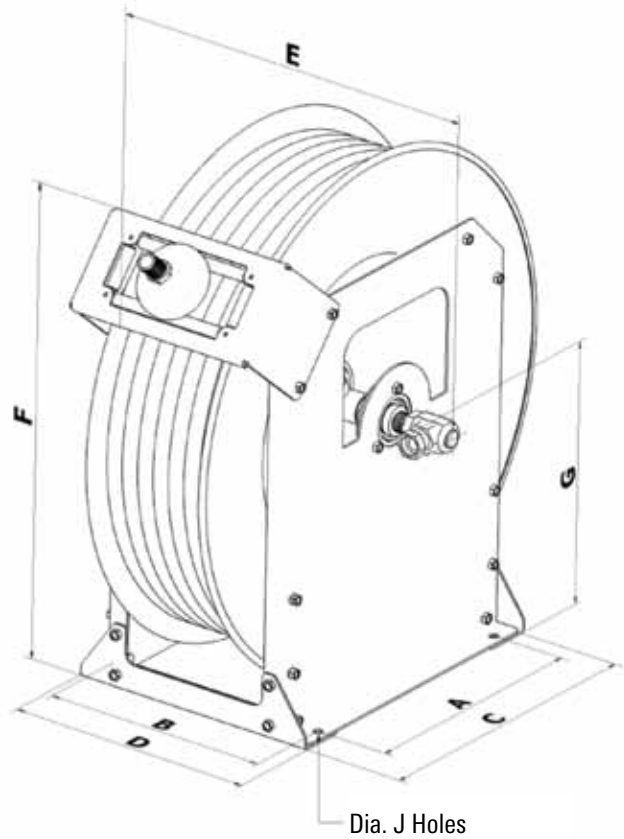
Cobra 09-925 ~ 920 Series

Hose Reel Dimensions

Cobra 925 & 940 Direct Drive Series Hose Reels

**Cobra 925 Direct Drive
Hose Reel Series**

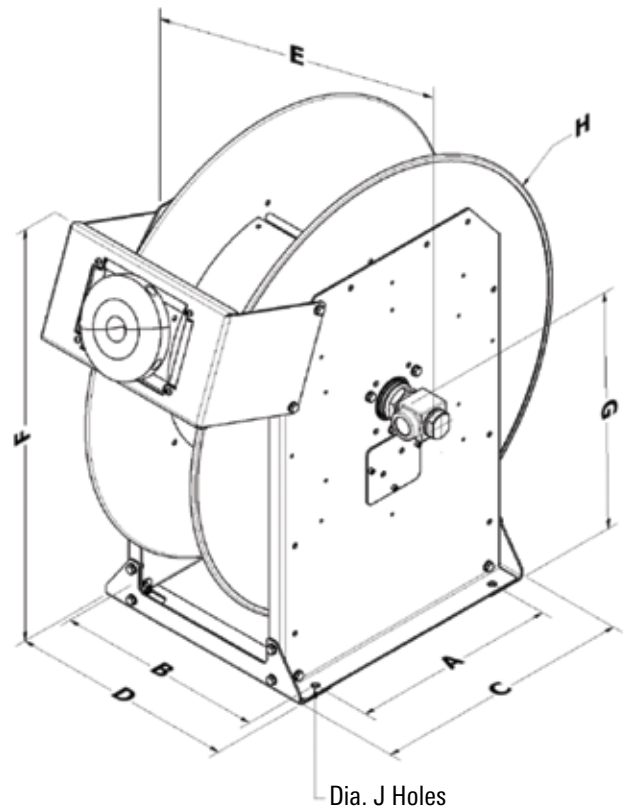
A	370mm
B	326mm
C	452mm
D	355mm
E	526mm
F	644mm
G	367mm
H	700mm
J	17mm



Cobra 09-925 Series

**Cobra 940 Direct Drive
Hose Reel Series**

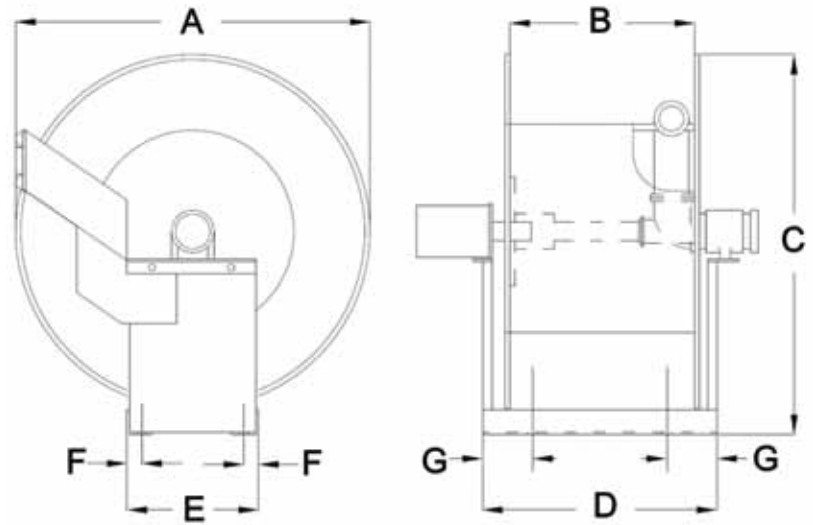
A	370mm
B	375mm
C	466mm
D	405mm
E	452mm
F	746mm
G	423mm
H	754mm
J	17mm



Cobra 09-940 Series

Custom Reeling 950 Direct Drive Series Hose Reels

Custom Reeling 950 Direct Drive Hose Reel Series	
A	711mm
B	635mm
C	762mm
D	470mm
E	264mm
F	50mm
G	101mm



Custom Reeling 20-950 Series

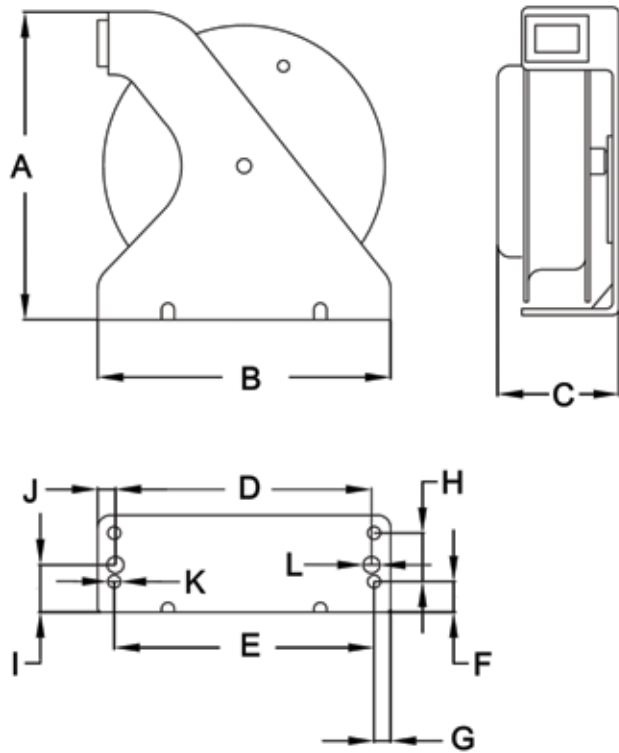


Custom Reeling 20-950 Series

Gleason Static Discharge Cable Reel Dimensions

Gleason Open Static Discharge Cable Reel

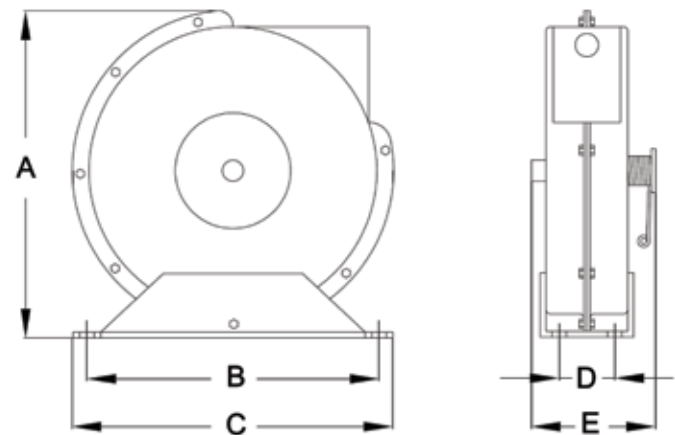
A	241mm
B	229mm
C	95mm
D	200mm
E	203mm
F	24mm
G	13
H	38
I	14
J	13mm dia. two holes
K	10mm dia. four holes



Gleason Open Static Discharge Cable Reel

Gleason Enclosed Static Discharge Cable Reel

A	224mm
B	200mm
C	219mm
D	38mm
E	85mm



Gleason Enclosed Static Discharge Cable Reel

JSG Industrial Product Range



Fast Fill Systems
Product Catalogue

JSG Industrial Systems
quality industry solutions

Location Management Systems	Material Dispensing Management Systems	Asset & Cable Management Systems	Asset & Fuel Management Systems	Fuel Dispensing Systems	Oil/Water Recycling Systems	Exhaust Treatment & Filtration Systems	General Lubrication & Monitoring Equipment
-----------------------------	--	----------------------------------	---------------------------------	-------------------------	-----------------------------	--	--

JSG Industrial Systems

Fast Fill Systems



Exhaust/Fume Extraction & Filtration Systems
Product Catalogue

JSG Industrial Systems
quality industry solutions

Location Management Systems	Material Dispensing Management Systems	Asset & Cable Management Systems	Asset & Fuel Management Systems	Fuel Dispensing Systems	Oil/Water Recycling Systems	Exhaust Treatment & Filtration Systems	General Lubrication & Monitoring Equipment
-----------------------------	--	----------------------------------	---------------------------------	-------------------------	-----------------------------	--	--

JSG Industrial Systems

Exhaust/Fume & Extraction Systems



Lincoln PMV Pump & Accessories

JSG Industrial Systems
quality industry solutions

Location Management Systems	Material Dispensing Management Systems	Asset & Cable Management Systems	Asset & Fuel Management Systems	Fuel Dispensing Systems	Oil/Water Recycling Systems	Exhaust Treatment & Filtration Systems	General Lubrication & Monitoring Equipment
-----------------------------	--	----------------------------------	---------------------------------	-------------------------	-----------------------------	--	--

JSG Industrial Systems

Lincoln PMV Pump & Accessories



Fire Suppression
Product Catalogue

JSG Industrial Systems
quality industry solutions

Location Management Systems	Material Dispensing Management Systems	Asset & Cable Management Systems	Asset & Fuel Management Systems	Fuel Dispensing Systems	Oil/Water Recycling Systems	Exhaust Treatment & Filtration Systems	General Lubrication & Monitoring Equipment
-----------------------------	--	----------------------------------	---------------------------------	-------------------------	-----------------------------	--	--

JSG Industrial Systems

Fire Suppression Products



Flowmeter
Product Catalogue

JSG Industrial Systems
quality industry solutions

Location Management Systems	Material Dispensing Management Systems	Asset & Cable Management Systems	Asset & Fuel Management Systems	Fuel Dispensing Systems	Oil/Water Recycling Systems	Exhaust Treatment & Filtration Systems	General Lubrication & Monitoring Equipment
-----------------------------	--	----------------------------------	---------------------------------	-------------------------	-----------------------------	--	--

JSG Industrial Systems

Flowmeter Products



Diaphragm Pump
Product Catalogue

JSG Industrial Systems
quality industry solutions

Location Management Systems	Material Dispensing Management Systems	Asset & Cable Management Systems	Asset & Fuel Management Systems	Fuel Dispensing Systems	Oil/Water Recycling Systems	Exhaust Treatment & Filtration Systems	General Lubrication & Monitoring Equipment
-----------------------------	--	----------------------------------	---------------------------------	-------------------------	-----------------------------	--	--

JSG Industrial Systems

Diaphragm Pump Products



On-Board Weighing Systems
Product Catalogue

JSG Industrial Systems
quality industry solutions

Location Management Systems	Material Dispensing Management Systems	Asset & Cable Management Systems	Asset & Fuel Management Systems	Fuel Dispensing Systems	Oil/Water Recycling Systems	Exhaust Treatment & Filtration Systems	General Lubrication & Monitoring Equipment
-----------------------------	--	----------------------------------	---------------------------------	-------------------------	-----------------------------	--	--

JSG Industrial Systems

On-Board Weighing Systems



JSG Product Range
Overview Brochure

JSG Industrial Systems
quality industry solutions

Location Management Systems	Material Dispensing Management Systems	Asset & Cable Management Systems	Asset & Fuel Management Systems	Fuel Dispensing Systems	Oil/Water Recycling Systems	Exhaust Treatment & Filtration Systems	General Lubrication & Monitoring Equipment
-----------------------------	--	----------------------------------	---------------------------------	-------------------------	-----------------------------	--	--

JSG Industrial Systems

Product Range Overview



Achieving more from your Assets

JSG Industrial Systems
quality industry solutions

Location Management Systems	Material Dispensing Management Systems	Asset & Cable Management Systems	Asset & Fuel Management Systems	Fuel Dispensing Systems	Oil/Water Recycling Systems	Exhaust Treatment & Filtration Systems	General Lubrication & Monitoring Equipment
-----------------------------	--	----------------------------------	---------------------------------	-------------------------	-----------------------------	--	--

JSG Industrial Systems

Managing Assets

To find out more information on all of our product ranges please go to www.jsgindustrial.com or contact your local sales representative

Sydney

Unit 1, 21 Amour Street Revesby NSW 2212
PO Box 333 Milperra NSW 2214
Ph: (02) 9914 8720 Fax: (02) 9914 8798
Email: jsgindustrial@jsg.com.au

Melbourne

6/407 Canterbury Rd Surrey Hills VIC 3127
Ph: (03) 8809 1300 Fax: (03) 8809 1333
Email: jsgvic@jsg.com.au

Brisbane

Unit 1/20 Lancashire St Acacia Ridge QLD 4110
Ph: (07) 3273 3433 Fax: (07) 3273 3369
Email: jsgqld@jsg.com.au

Perth

Unit 4/11 Townsend St Malaga WA 6090
Ph: (08) 9248 7311 Fax: (08) 9248 9817
Email: jsgwa@jsg.com.au

Cessnock

Level 1/426 Macdonalds Rd Pokolbin NSW 2325
Mobile: 0447 277 755
Email: jsghv@jsg.com.au

Adelaide

Suite 2, 7 Divett Street Port Adelaide SA 5015
PO Box 479 Welland SA 5007
Mobile: 0448 730 886
Email: jsgsa@jsg.com.au

Mackay

2/40 Evans Ave PO BOX 3374
North Mackay QLD 4740 Technical Support
Mobile: 0428 277 671 Fax: (07) 4953 3959
Email: techcq@jsg.com.au

Townsville

Level 1, 1/5 Woolcock St Hyde Park Townsville QLD 4810
Mobile: 0419 021 892 Fax: (07) 4724 5951
Email: jsgfnq@jsg.com.au

Cannonvale

29 Jones Rd Cannonvale QLD 4802
Mobile: 0448 022 886 Fax: (07) 4946 5466
Email: salescq@jsg.com.au

Indonesia

PT JSG International
Jl. Ciputat Raya, No. 1C RT.003/RW. 010 Kebayoran
Lama Selatan, Kebayoran Lama, Jakarta Selatan 12240
Ph: (62-21) 7239 511 Fax: (62-21) 7289 5623
Email: sales@ptjsg.co.id

Your authorised JSG distributor:

Lubrication
Management
Systems

Material
Dispensing
Management
Systems

Hose & Cable
Management
Systems

Diesel & Fluid
Management
Systems

Fire
Suppression
Systems

Onboard
Weighing
Systems

Flow
Measurement
Systems

General
Lubrication
& Exhaust
Extraction

Technical data specifications & photographs contained in this brochure were correct at time of printing. Pictures shown are for illustration purposes only. Technical information, specifications & products shown maybe subject to change without prior notice. (Errors & omissions excepted). WARNING: For sale & proper use consult instructions, the supplier or JSG. Contact your nearest JSG Industrial Systems P/L distributor for latest information.

Unit 1, 21 Amour St Revesby 2212 Australia
T: +61 2 9914 8720 F: +61 2 9914 8798
E: jsgindustrial@jsg.com.au
W: www.jsgindustrial.com

