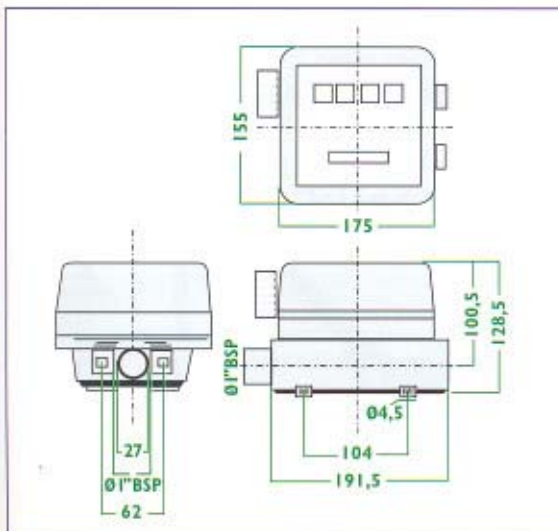
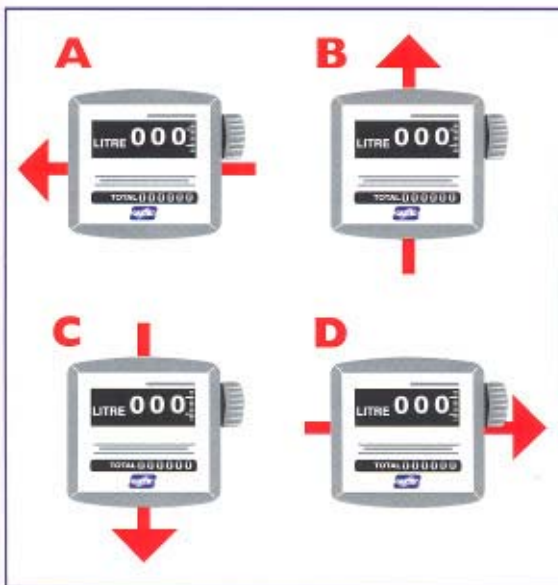


# DIESEL METERS

MISCEL-  
LANEOUS

VOLUMETRIC METERS FOR FUELS AND OILS, DESIGNED FOR ACCURATE MEASUREMENT OF QUANTITY DISPENSED.

- SUITABLE ONLY FOR PRIVATE USE
- ACCURACY +/- 1%
- FLOW RATE: FROM 10 TO 100 LT
- RELIABLE, COST EFFECTIVE AND EASY TO INSTALL



**DV 2001÷4**

VOLUMETRIC NUTATING DISC METER  
Large 3 digit resettable register  
and 6 digit totalizer.



**DV 2005÷8**

VOLUMETRIC NUTATING DISC METER  
Large 4 digit resettable register  
and 8 digit totalizer.

	Version	Pressure (max)	Flow	Connections inlet-outlet	Kg	Shipping dimensions mm
<b>DV 2001</b>	Ver. A	10	←	1"	2	180x180x170
<b>DV 2002</b>	Ver. B	10	↑	1"	2	180x180x170
<b>DV 2003</b>	Ver. C	10	↓	1"	2	180x180x170
<b>DV 2004</b>	Ver. D	10	⇒	1"	2	180x180x170
<b>DV 2005</b>	Ver. A	10	←	1"	2	180x180x170
<b>DV 2006</b>	Ver. B	10	↑	1"	2	180x180x170
<b>DV 2007</b>	Ver. C	10	↓	1"	2	180x180x170
<b>DV 2008</b>	Ver. D	10	⇒	1"	2	180x180x170