

The global view is its strength



Technical data	Lanx Global
Display	Graphic
Screen	Ton or kilogram
	Multilingual
Working temperature	0°÷50° C
Power supply	18÷30 Vdc
Protection level	IP40
Max current	0.5A a 24 Vdc
Dimensions	132x100x42mm without flange
Colour	Metallized grey
Optional	Printer
	Radio receiver

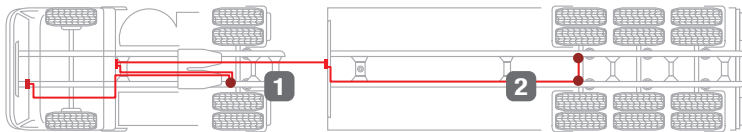
Advantages

- Easy on board weighing whilst loading
- No fine for overloading
- Vehicle protection from early wear
- Payload within the law limits
- Reusable system
- **Automatic connection management for detecting unlimited trailers and semitrailers**
- **Global visualization of all the weights**

The control unit of the LANX Global system is directly installed in the driver's cab and displays the weight loaded on board in real time. It allows a reading axle by axle, net and gross or partial. LANX Global uses a variety of digital sensors positioned on the vehicle's suspensions and displays all data on an easy to read display, without having to push any keys. In addition, weight data can be transmitted by radio to a pocket-sized remote display and, with an on-board mini-printer, printed on multi-part receipts. It can also connect to any satellite system. The system pays for itself immediately because knowing the weight of the load when you travel means optimizing transport times and economic yield in complete safety.



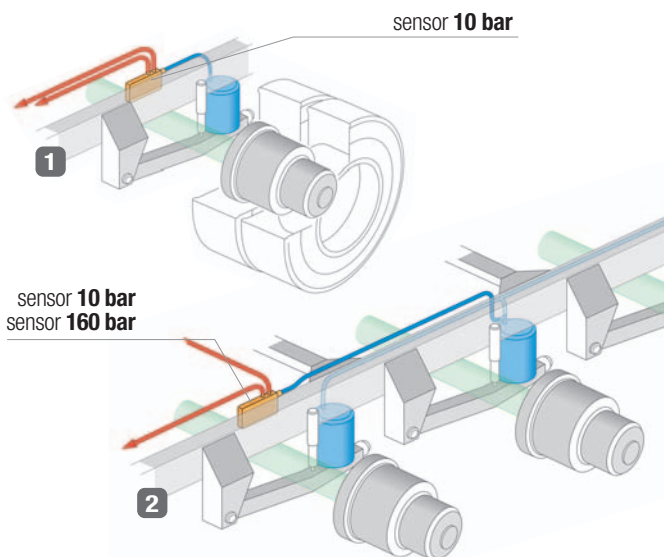
Air or hydraulic suspensions



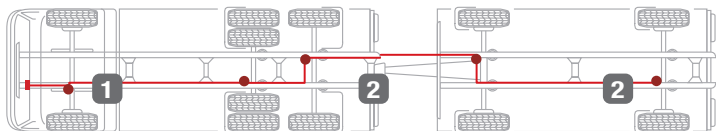
Technical data	Sensor 10 bar	Sensor 160 bar
Range	010 Bar	0160 Bar
Safe overload	150%	150%
Compensated temperature	-20° ÷ +50° C	-20° ÷ +50° C
Protection level	IP65	IP65
Dimensions	145x72x35 mm	145x72x35 mm
Weight	300 gr	400 gr

Accuracy: 0÷1%

The digital sensors, which are installed on the tractor rear pneumatic suspensions (1) and on the trailer pneumatic/hydraulic suspensions (2), record the pressure variation due to the weight loaded on the vehicle, by sending data to the LANX unit located in the cab.



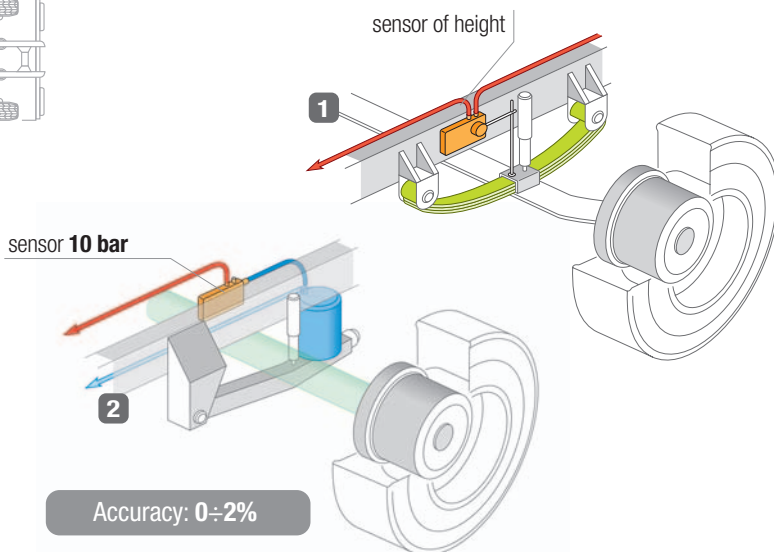
Vehicles with mixed suspensions



Technical data	Sensor 10 bar
Range	010 Bar
Safe overload	150%
Compensated temperature	-20° ÷ +50° C
Protection level	IP65
Dimensions	145x72x35 mm
Weight	300 gr

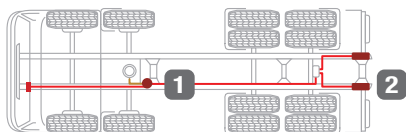
Technical data	Sensor of height
Range	± 80°
Extra stroke	± 180°
Compensated temperature	0° ÷ +50° C
Protection level	IP65
Dimensions	145x72x35 mm
Weight	650 gr

The digital sensors, located on the different axles of the vehicle, allow to check both the whole load and its distribution during the process of stowage, by sending data to the LANX unit located in the cab. It is also very helpful when an axle by axle load limit is required.



Accuracy: 0÷2%

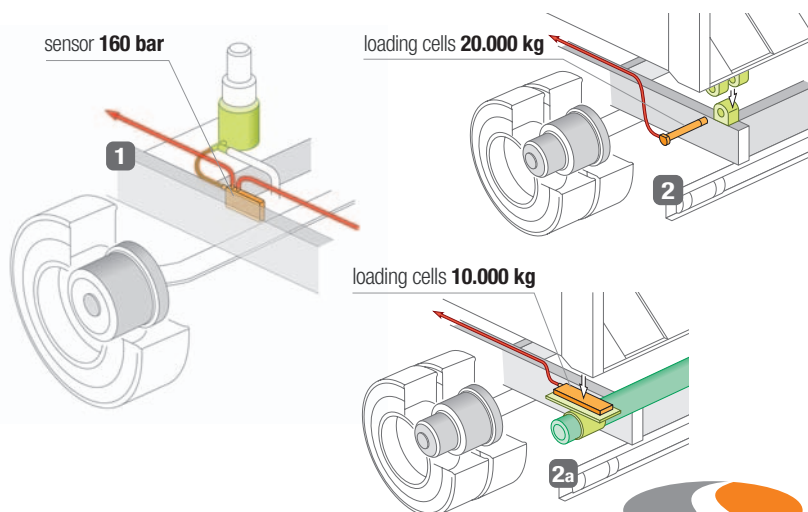
Vehicles with rear dump trailer



Technical data	Sensor 160 bar
Range	0160 Bar
Safe overload	150%
Compensated temperature	-20° ÷ +50° C
Protection level	IP65
Dimensions	145x72x35 mm
Weight	400 gr

Technical data	10.000 kg	20.000 kg
Loading capacity	10.000 kg	20.000 kg
Safe overload	300%	300%
Compensated temperature	-10° ÷ +50° C	-10° ÷ +50° C
Protection level	IP67	IP67
Dimensions	380x100x39 mm	∅ 60x357 mm
Weight	11,5 kg	8,5 kg

The two loading cells located among the dumper rear hinges (2 or 2a) and the pressure sensor installed on the lifting cylinder (1), enable to record the loaded weight by lifting up the dump body a few inches and by sending data to the LANX unit located in the cab.



Accuracy: 0÷0,5%